


Respect protective note DIN 34!



# Bavaria new Vision 42 (SD20)

## Circuit Diagram 120V/12V

Electrical installation agrees to european norm EN ISO 13297:2000 for AC installations  
 Electrical installation agrees to european norm EN ISO 10133:2000 for DC installations.

REV	DATE	CHANGE	name	DATE	name	BAVARIA	DRAWN BY:	DISCRIPTION	PROJ.NO.:	ATTACHMENT:	NEXT PAGE:					
1				17.07.2012	Heino Nolle	 <b>BAVARIA</b> Bavariestrale 1 D97232 Gieselstedt <a href="http://www.bavaria-yachtbau.com">www.bavaria-yachtbau.com</a>	M.S.P. Nolle GmbH Tomdorfer Hauptstr. 30 D-22045 Hamburg Tel.: +49 (0)40 688 602 88	Coverage	S400.328.00 NMAZEG1	Bavaria SD20	2					
2			22.07.2012	Heino Nolle	D97232 Gieselstedt							D-22045 Hamburg				
3																

PREVIOUS PAGE: NEXT PAGE: 2

REV: DRAWN: 17.07.2012 CHECK: 22.07.2012 APPR:

name: Heino Nolle

name: Heino Nolle

name: Heino Nolle

name: Heino Nolle

# table of contents

part (=)	page	document type	description	index	rev. date	create date
	1	circuit diagram	Coverage		22.07.2012	17.07.2012
	2	table of contents			22.07.2012	22.07.2012
	3	table of contents			22.07.2012	22.07.2012
	4	circuit diagram	AC distribution 13		22.07.2012	17.07.2012
	5	circuit diagram	AC distribution 23		22.07.2012	17.07.2012
	6	circuit diagram	AC distribution 33		22.07.2012	17.07.2012
	7	circuit diagram	aircondition		22.07.2012	22.07.2012
	8	circuit diagram	Motor electric		22.07.2012	17.07.2012
	9	circuit diagram	DC battery		22.07.2012	17.07.2012
	10	circuit diagram	DC distribution 12		22.07.2012	22.07.2012
	11	circuit diagram	DC distribution 22		22.07.2012	22.07.2012
	12	circuit diagram	Input Panel 301		22.07.2012	22.07.2012
	13	circuit diagram	panel 301 15		22.07.2012	22.07.2012
	14	circuit diagram	panel 301 25		22.07.2012	22.07.2012
	15	circuit diagram	panel 301 35		22.07.2012	15.02.2012
	16	circuit diagram	panel 301 lights 45		22.07.2012	22.07.2012
	17	circuit diagram	panel 301 lights 55		22.07.2012	22.07.2012
	18	circuit diagram	interior lights seaboard		22.07.2012	22.07.2012
	19	circuit diagram	interior lights seaboard		22.07.2012	22.07.2012
	20	circuit diagram	interior lights portside		22.07.2012	22.07.2012
	21	circuit diagram	interior lights portside		22.07.2012	22.07.2012
	22	circuit diagram	navigation lights		22.07.2012	22.07.2012
	23	circuit diagram	compass		22.07.2012	15.02.2012
	24	circuit diagram	navigation		22.07.2012	22.07.2012
	25	circuit diagram	radio		22.07.2012	22.07.2012
	26	circuit diagram	fridge		22.07.2012	22.07.2012
	27	circuit diagram	bilge pump		22.07.2012	15.02.2012
	28	circuit diagram	waste water pump		22.07.2012	15.02.2012
	29	circuit diagram	header system		22.07.2012	26.03.2011

Respect protective note DIN 34!

PREVIOUS PAGE:		DRAWN BY:		DESCRIPTION:		PROJECT:		NEXT PAGE:	
REV	DATE	CHANGE	name	DATE	name	table of contents	S-000-326300 N/A/E/G/L	ATTACHMENT:	3
1	22.07.2012		Hemo Nohle	22.07.2012	Hemo Nohle		Bavaria SD20		2
2		CHECK	Hemo Nohle	22.07.2012					PAGE
3		APPR.							SHEET: 50

**BAVARIA**  
Bavariastraße 1  
D-97232 Giebelstadt  
www.bavaria-yachtbau.com

M.S.P. Nohle GmbH  
Tonndorfer Hauptstr. 30  
D-22045 Hamburg  
Tel.: +49 (0)40 888 602 88

# table of contents

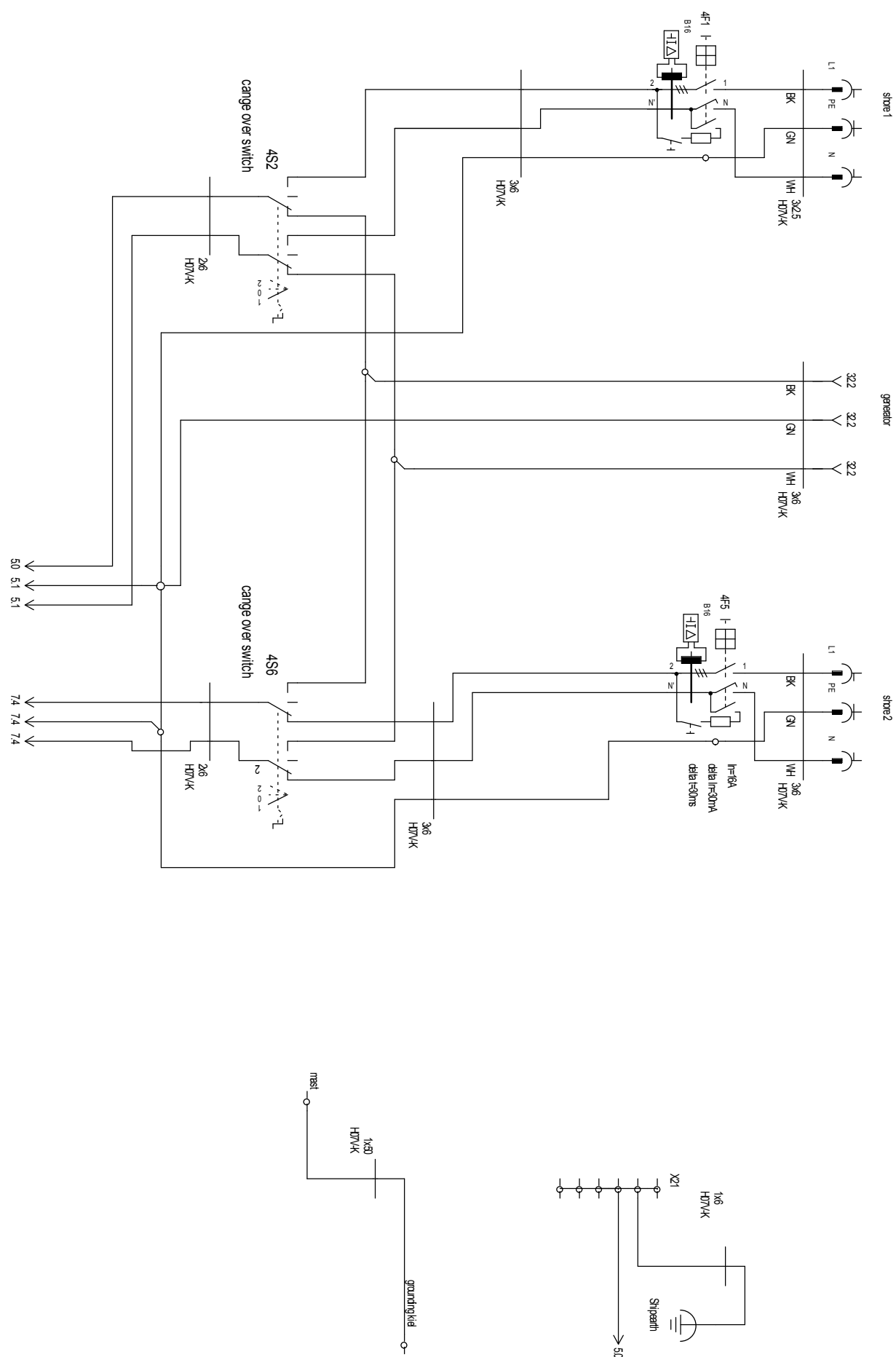
part (-)	page	document type	description	index	rev. date	create date
	30	circuit diagram	windlass		22.07.2012	26.09.2011
	31	circuit diagram	bow/stern thruster		22.07.2012	26.09.2011
	32	circuit diagram	generator		22.07.2012	22.07.2012
	33	circuit diagram	genoa winch		22.07.2012	12.02.2012
	34	circuit diagram	spj./halyard winch		22.07.2012	22.07.2012
	35	circuit diagram	table lift		22.07.2012	12.02.2012
	36	circuit diagram	engine		22.07.2012	26.09.2011
	37	circuit diagram	cable specification		22.07.2012	06.09.2011
	38	circuit diagram	cable specification		22.07.2012	06.09.2011
	39	cable core list				22.07.2012
	40	cable core list				22.07.2012
	41	cable core list				22.07.2012
	42	cable core list				22.07.2012
	43	cable core list				22.07.2012
	44	cable core list				22.07.2012
	45	cable core list				22.07.2012
	46	cable core list				22.07.2012
	47	cable core list				22.07.2012
	48	cable core list				22.07.2012
	49	cable core list				22.07.2012
	50	cable core list				22.07.2012

Respect protective note DIN 34!

PREVIOUS PAGE: 2		DRAWN BY: M.S.P. Nolte GmbH Tonndorfer Hauptstr. 30 D-22045 Hamburg Tel.: +49 (0)40 888 602 88		DISCRIPTION: table of contents		PROJAND.: S-001-32600 NW2EG4 Bavaria SD20		ATTACHMENT:		NEXT PAGE:	
REV	DATE	CHANGE	name	name	DATE	name	DATE	name	PAGE	SHEET	
1	22.07.2012			HemoNolte	22.07.2012	Bavaria SD20	22.07.2012	Gideckstad	3	3	
2				Hemo Nolte	22.07.2012						
3										50	



Bavaria SD20  
Gideckstad  
www.bavaria-yachtbau.com



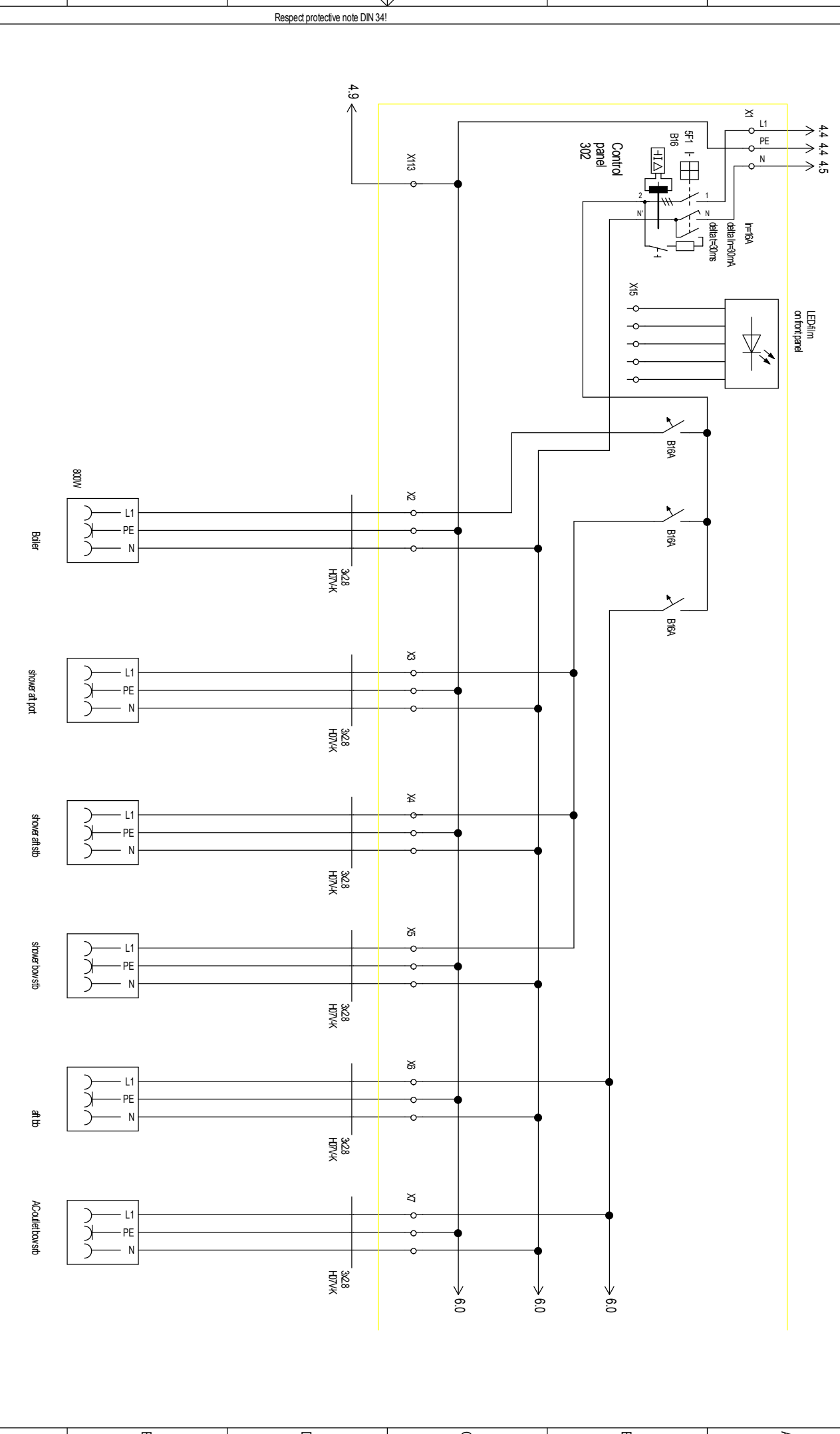
Respect protective note DIN 34!

PREVIOUS PAGE:		3		name		name		DRAWN BY:		DESCRIPTION		PROJECT:		ATTACHMENT:		NEXT PAGE:	
REV	DATE	CHANGE	DATE	name	name	Bavariastraße 1	Gleisdorf	M.S.P. Nolte GmbH	AC-schubstation 13	S00032800 NAZEG1	Bavaria SD20						5
1			17.07.2012	Herno Nolte	Herno Nolte			Tomdorfer Hauptstr. 30	Shoreinputs								4
2			22.07.2012	Herno Nolte	Herno Nolte			D-22045 Hamburg									4
3								Tel.: +49 (0)40 688 602 88									50



www.bavaria-yachtbau.com

0 1 2 3 4 5 6 7 8 9



Respect protective note DIN 34!

PREVIOUS PAGE:		4	
REV	DATE	CHANGE	name
1	14.03.2011	modified wiring label	Jan-Ole Witt
2	15.06.2011	del. switch	Jan-Ole Witt
3			
DATE	DATE	CHECK	name
17.07.2012	22.07.2012		Herno Nolte
DRAWN		DRAWN	
17.07.2012		22.07.2012	
CHECK		CHECK	
22.07.2012		22.07.2012	
APPR.		APPR.	



BAVARIA  
YACHTBAU

Bavariestraße 1  
D97232 Gleisdorf  
www.bavaria-yachtbau.com

DRAWN BY:  
M.S.P. Nolte GmbH  
Tomdorfer Hauptstr. 30  
D-22045 Hamburg  
Tel.: +49 (0)40 688 602 88

DISCRIPTION  
AC distribution 23  
Source switch

PROJNO:  
S0032800 N/AZEG1

ATTACHMENT:  
Bavaria SD20

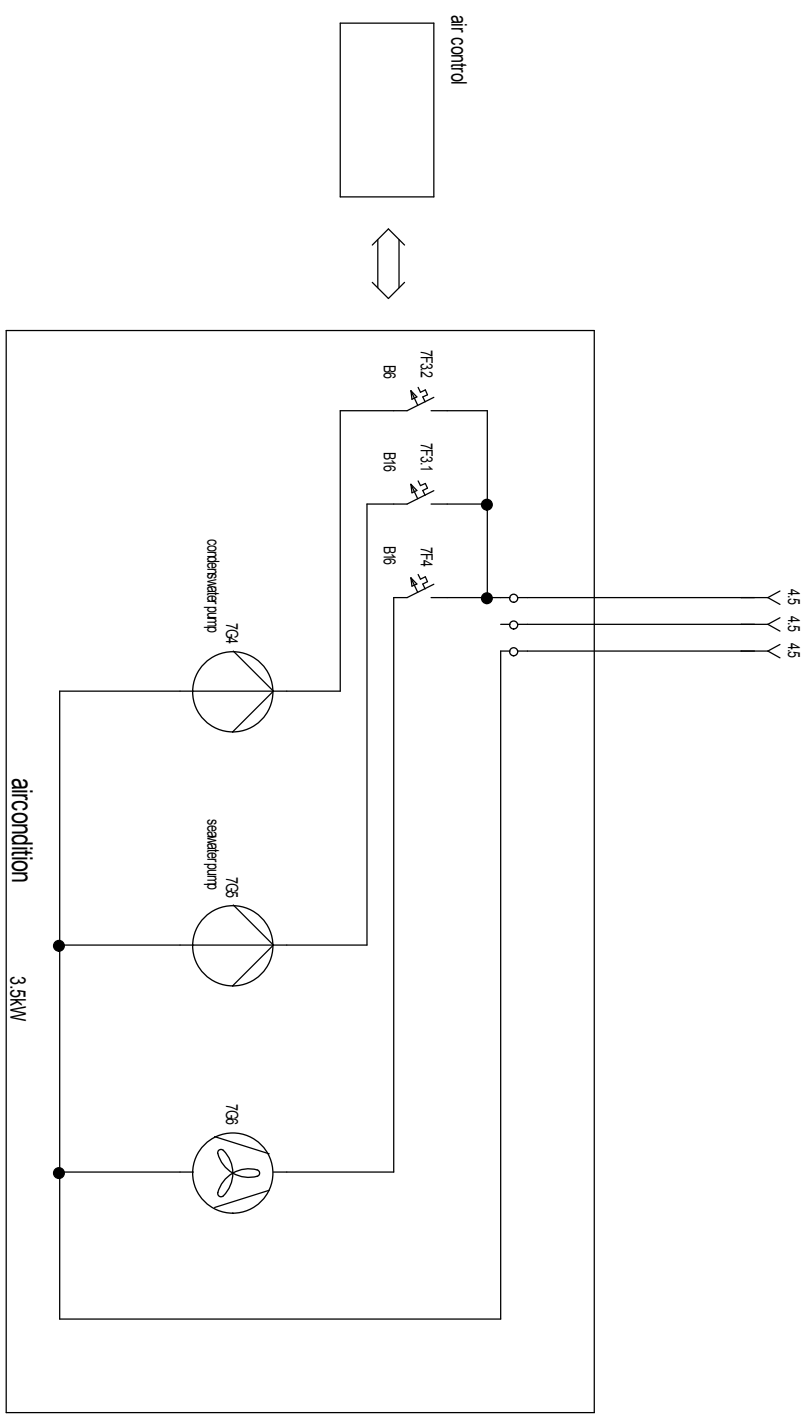
NEXT PAGE: 6

PAGE: 5  
SHEET: 50



0 1 2 3 4 5 6 7 8 9

Respect protective note DIN 34!



PREVIOUS PAGE:		6		name		DATE		name		DRAWN BY:		DISCRIPTION		PROJ.NO.:		ATTACHMENT:		NEXT PAGE:	
REV	DATE	CHANGE		name	DATE	name		name		Bavariastrale 1	aircondition	S.003.328.00	MAZEGL		Bavaria SD20				8
1					22.07.2012	Herno Nolte		Herno Nolte		D-22045 Hamburg									7
2					22.07.2012	Herno Nolte		Herno Nolte		D-22045 Hamburg									50
3										Tel.: +49 (0)40 688 602 88									



www.bavaria-yachtbau.com

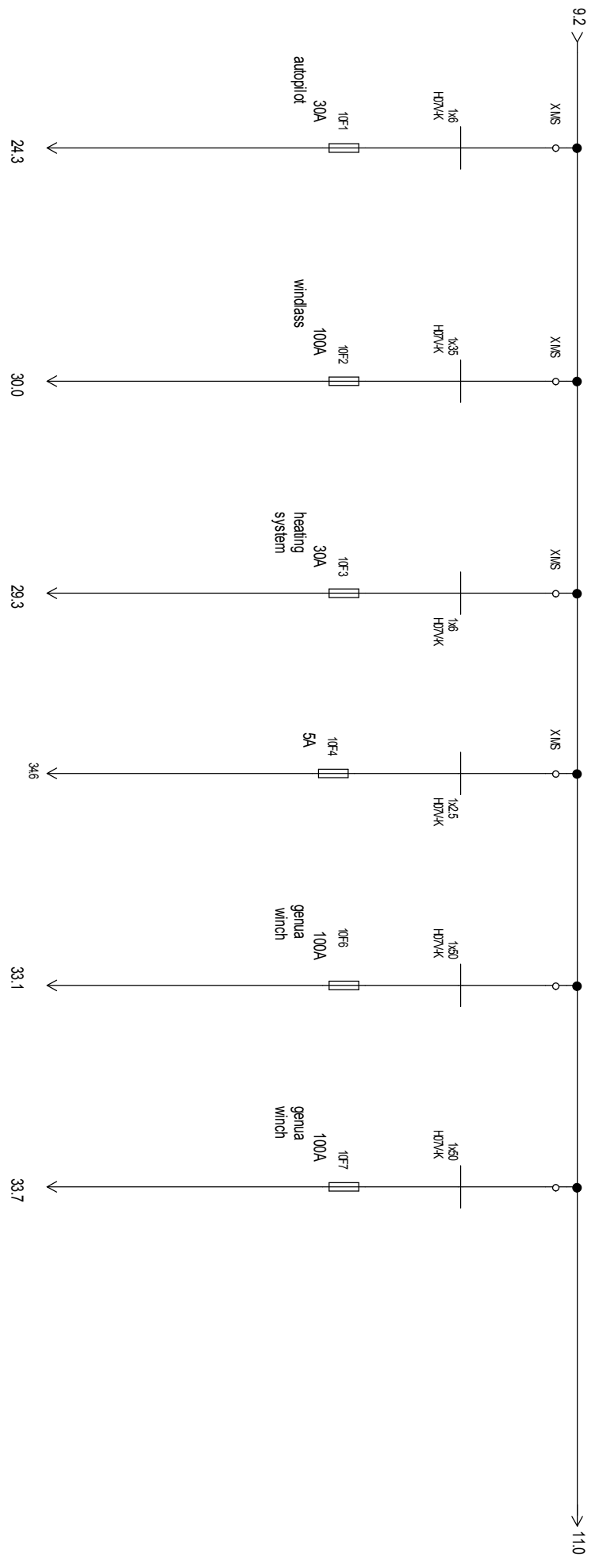






0 1 2 3 4 5 6 7 8 9

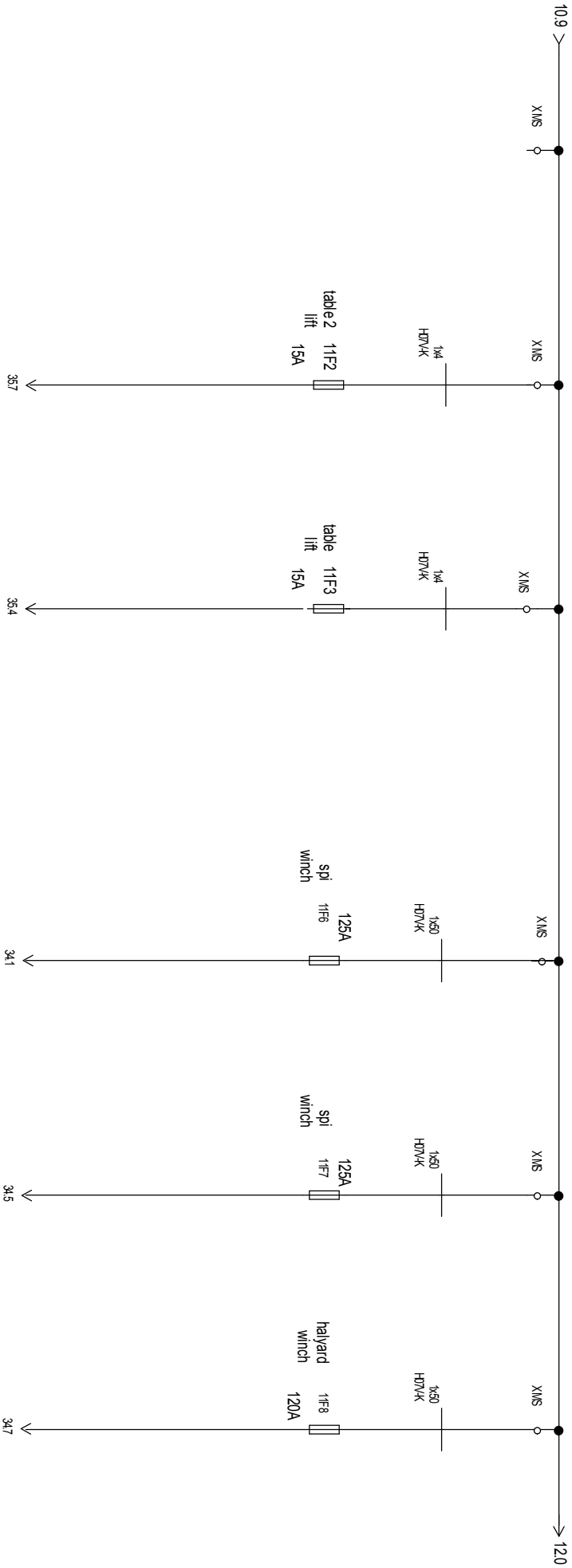
Respect protective note DIN 34!



PREVIOUS PAGE: 9		DRAWN BY: M.S.P. Nolte GmbH		DISCRIPTION: DC distribution 12		PROJECT: S.00.328.00 NAZEGL		ATTACHMENT:		NEXT PAGE: 11	
REV	DATE	CHANGE	name	DATE	name						
1	22/07/2012	change 9f-2, 9f-6, 9f-7	Hemo Nolte	22/07/2012	Hemo Nolte	Bavariastraße 1					
2	22/07/2012	cross-section		08.12.2011	Hemo Nolte	Gleisdorf					
3				APPR.		www.bavaria-yachtbau.com					

DRAWN BY: M.S.P. Nolte GmbH		DISCRIPTION: DC distribution 12		PROJECT: S.00.328.00 NAZEGL		ATTACHMENT:		NEXT PAGE: 11	
Tomdorfer Hauptstr. 30									
D-22045 Hamburg									
Tel.: +49 (0)40 688 602 88									
				Bavaria SD20					
								PAGE: 10	
								SHEET: 50	

Respect protective note DIN 34!



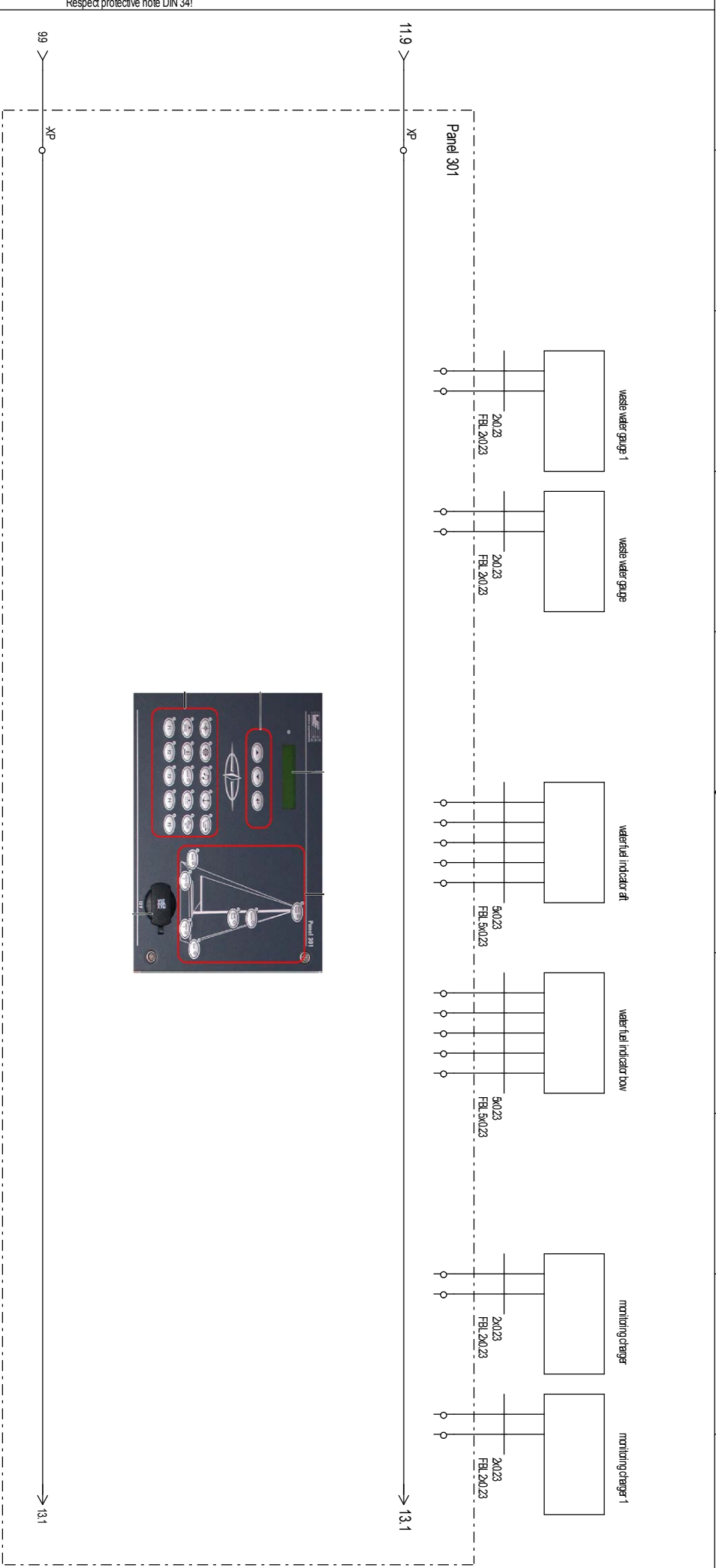
PREVIOUS PAGE: 10		DRAWN BY: M.S.P. Nolte GmbH		DISCRIPTION: DC distribution 22		PROJ.NO.: S0032800 NAZEGL		ATTACHMENT:		NEXT PAGE: 12	
REV	DATE	CHANGE	name	DATE	name						
1	22/07/2012	cross-section	Hemo Nolte	22/07/2012	Hemo Nolte	Bavaria SD20				PAGE: 11	
2				15/02/2012	Hemo Nolte	Bavaria SD20				SHEET: 50	
3											



Bavaria SD20  
Glebeledat  
D97232  
www.bavaria-yachtbau.com

D-22045 Hamburg  
Tomdorfer Hauptstr. 30  
Tel.: +49 (0)40 688 602 88

0 1 2 3 4 5 6 7 8 9

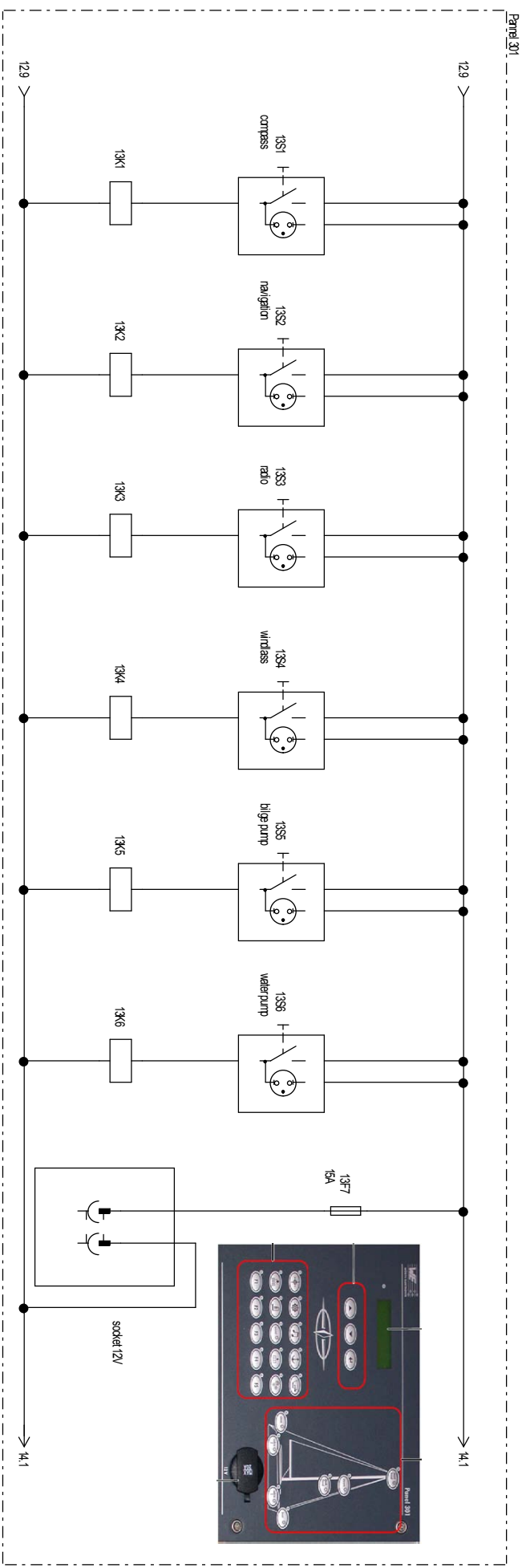


Respect protective note DIN 34!

PREVIOUS PAGE:		11	DRAWN BY:		M.S.P. Nolte GmbH		DISCRIPTION		PROJNO:		ATTACHMENT:		NEXT PAGE:	
REV	DATE	CHANGE	name	DATE	name	Inputs Panel 301		S400.328.00 N4ZEG1						
1				22.07.2012	Hemo Nolte	Tomdorfer Hauptstr. 30		Bavaria SD20						
2				22.07.2012	Hemo Nolte	D-22045 Hamburg						PAGE: 12		
3						Tel.: +49 (0)40 668 602 88						SHEET: 50		



DRAWN BY:		M.S.P. Nolte GmbH		DISCRIPTION		PROJNO:		ATTACHMENT:		NEXT PAGE:	
Tomdorfer Hauptstr. 30		Inputs Panel 301		S400.328.00 N4ZEG1		Bavaria SD20					
D-22045 Hamburg										PAGE: 12	
Tel.: +49 (0)40 668 602 88										SHEET: 50	



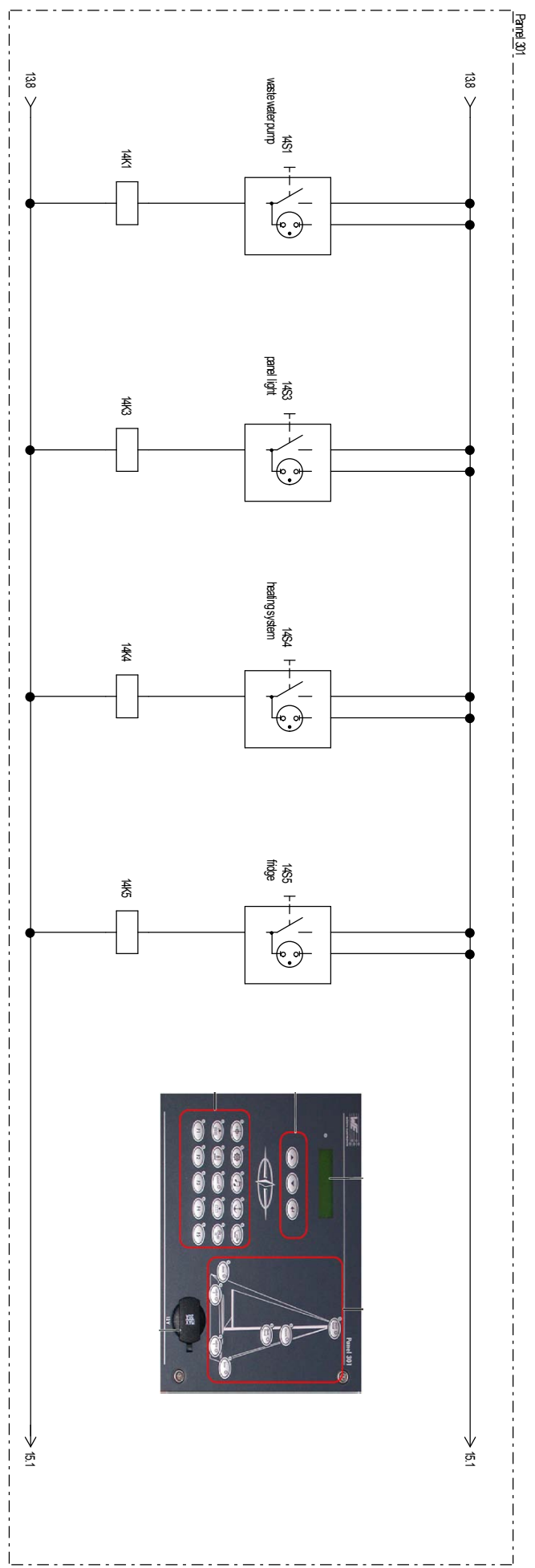
H	S	Ö	H	S	Ö	H	S	Ö	H	S	Ö	S	Ö
23.3			24.1			25.3			30.4			27.7	

Respect protective note DIN 34!

PREVIOUS PAGE:		12	DRAWN BY:		M.S.P. Nolte GmbH		DESCRIPTION:		panel 301 1/5		PROJ.NO.:		S400.328.00 N/AZEG1		ATTACHMENT:		NEXT PAGE:		14
REV	DATE	CHANGE	name	DATE	name	Bavariastraße 1	D-22045 Hamburg					Bavaria SD20						PAGE:	13
1				22.07.2012	Helmo Nolte													SHEET:	50
2				22.07.2012	Helmo Nolte														
3																			



www.bavaria-yachtbau.com



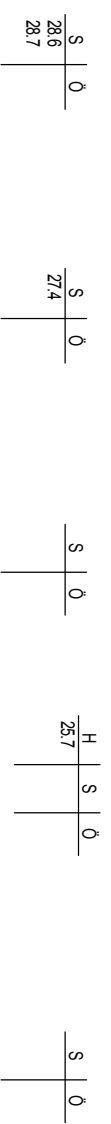
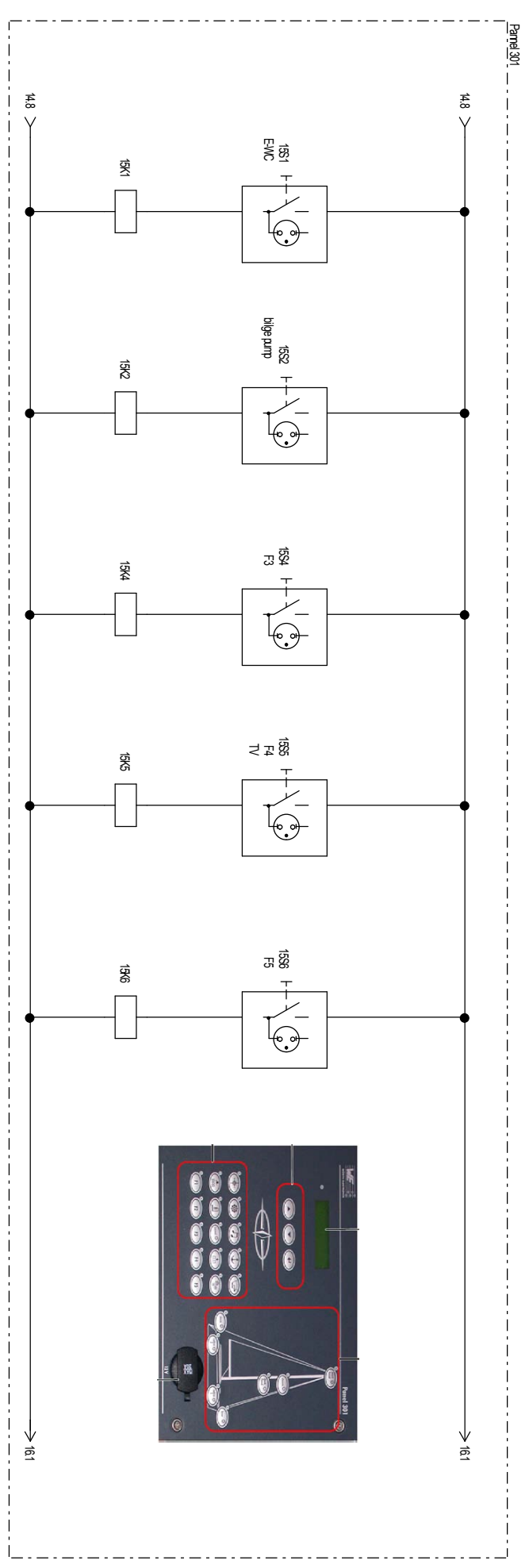
Respect protective note DIN 34!

PREVIOUS PAGE: 13		DRAWN BY: M.S.P. Nolte GmbH		DISCRIPTION: panel 301 25		PROJ.NO.: S0032800 N4ZEG1		ATTACHMENT:		NEXT PAGE: 15		
REV	DATE	CHANGE	name	DATE	name	Bavaria SD20				PAGE:	14	
1				DRAWN	22.07.2012	Heino Nolte					SHEET:	50
2				CHECK	22.07.2012	Heino Nolte						
3				APPR.								



Bavaria SD20  
 Gieseledat  
 D-22045 Hamburg  
 Tel.: +49 (0)40 688 602 88

0 1 2 3 4 5 6 7 8 9



Respect protective note DIN 34!

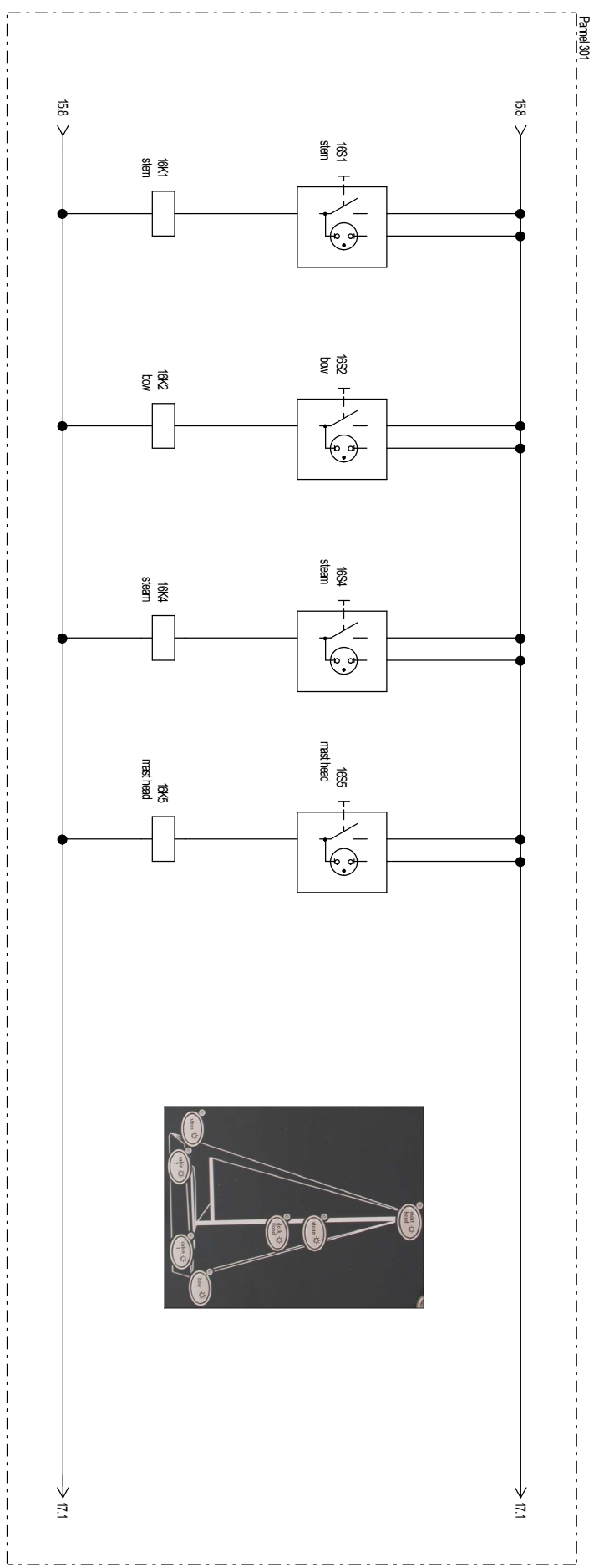
PREVIOUS PAGE:		14		DRAWN BY:		M.S.P. Nolte GmbH		NEXT PAGE:		16	
REV	DATE	CHANGE	name	DATE	name	DESCRIPTION	PROJ.NO.:	ATTACHMENT:	PAGE:	SHEET:	
1	15.02.2012	add TV	Nolte	15.02.2012	Heino Nolte	pane 301 35	S400.328.00 NMAZEG1		15	50	
2				CHECK	22.07.2012	Heino Nolte	Bavaria SD20				
3				APPR.							

**BAVARIA**

Bavariastalle 1  
Gleisdorf  
D-22045 Hamburg  
Tel.: +49 (0)40 688 602 88  
www.bavaria-yachtbau.com

Tomdorfer Hauptstr. 30  
D-22045 Hamburg  
Tel.: +49 (0)40 688 602 88

Respect protective note DIN 34!



PREVIOUS PAGE:		15	
REV	DATE	CHANGE	name
1			
2			
3			

DATE	22.07.2012	name	Hemo Nolte
CHECK	22.07.2012	name	Hemo Nolte
APPR.			



BAVARIA  
 M.S.P. Nolte GmbH  
 Tomdorfer Hauptstr. 30  
 D-22045 Hamburg  
 Tel.: +49 (0)40 688 602 88  
 www.bavaria-yachtbau.com

DESCRIPTION  
 panel 301 lights 45

PROJNO:  
 S400.328.00 N4ZEG1

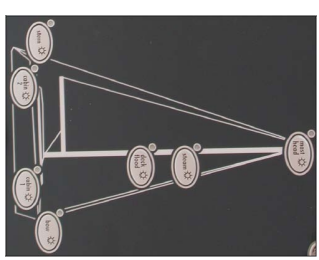
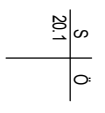
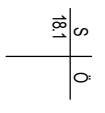
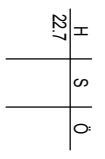
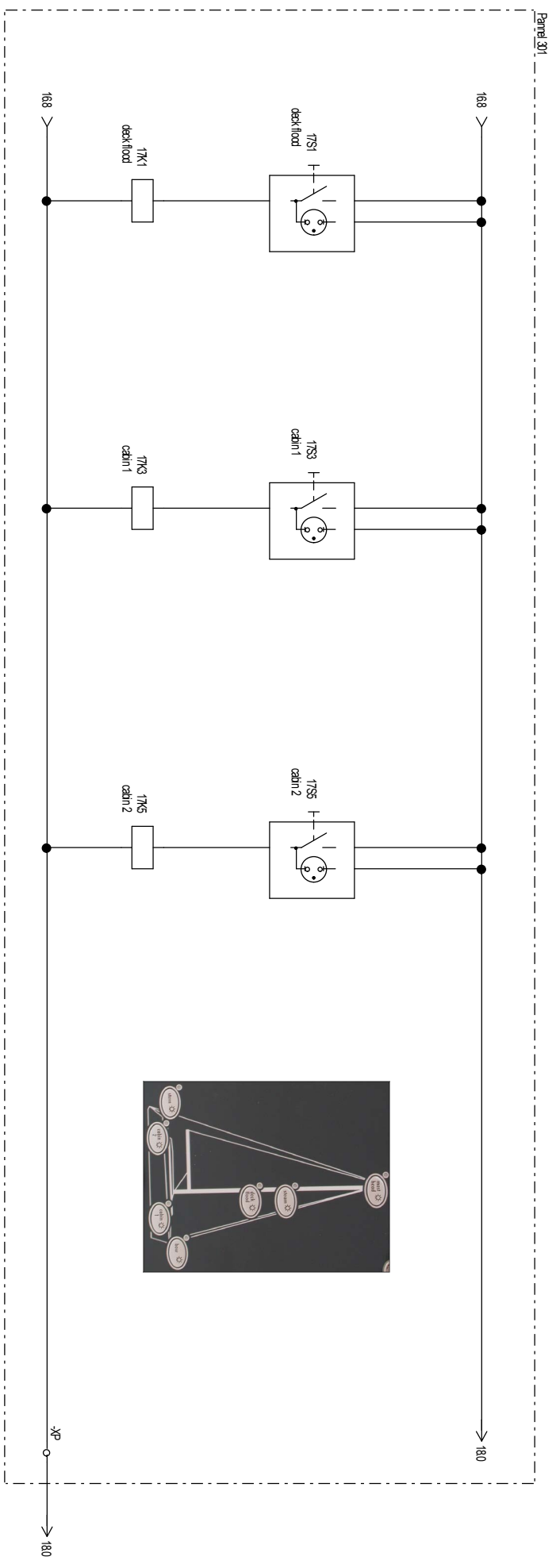
Bavaria SD20

ATTACHMENT:

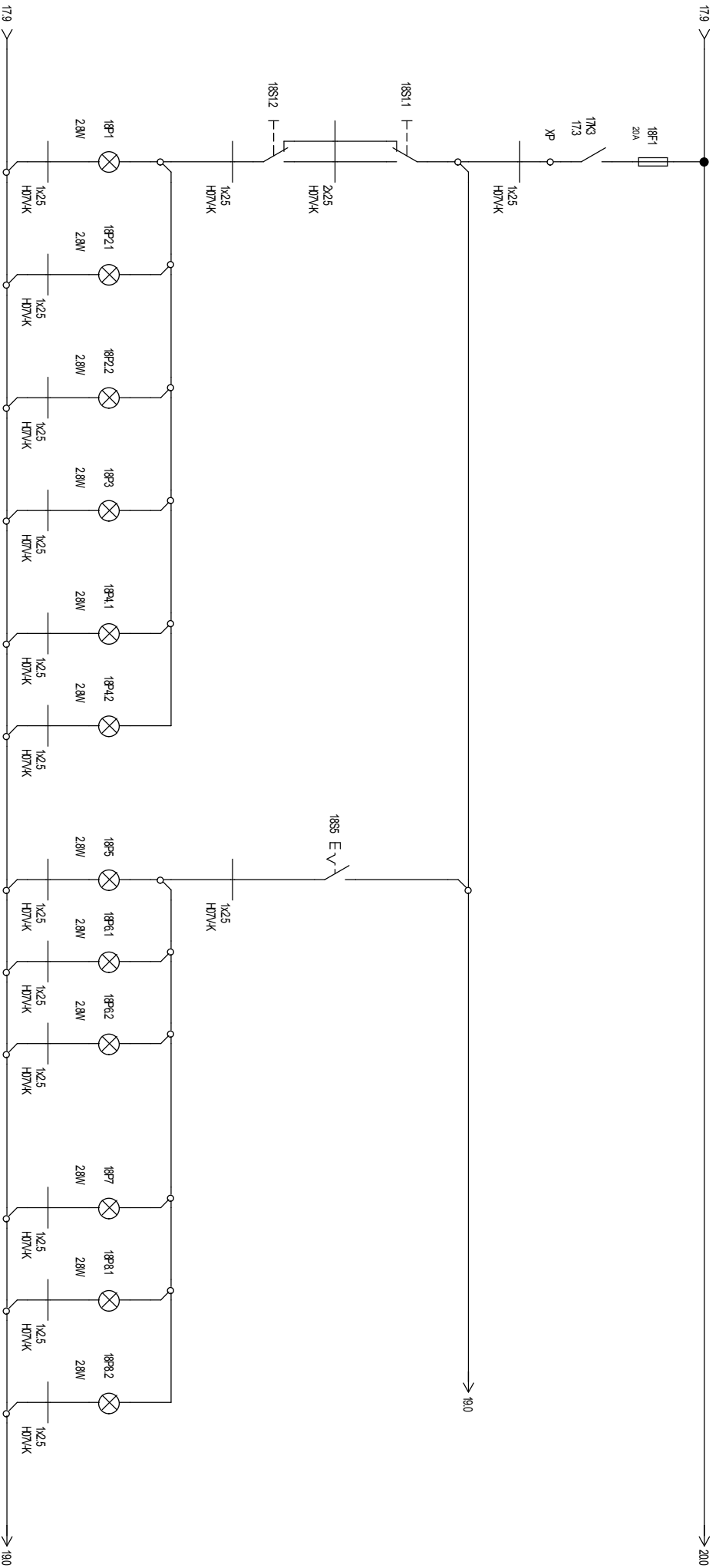
NEXT PAGE: 17  
 PAGE: 16  
 SHEET: 50



Respect protective note DIN 34!



PREVIOUS PAGE: 16		name		DATE		name		DRAWN BY:		DISCRIPTION		PROJ.NO:		ATTACHMENT:		NEXT PAGE: 18	
REV	DATE	CHANGE		DATE		name											
1				22.07.2012		Herno Nolte		Bavariastale 1	M.S.P. Nolte GmbH	pane 301 lights 95		S400.328.00	NAZEGEL			PAGE: 17	
2				22.07.2012		Herno Nolte		Gabelstad	Tomdorfer Hauptstr. 30				Bavaria SD20			SHEET: 50	
3								www.bavaria-yachtbau.com	D-22045 Hamburg								



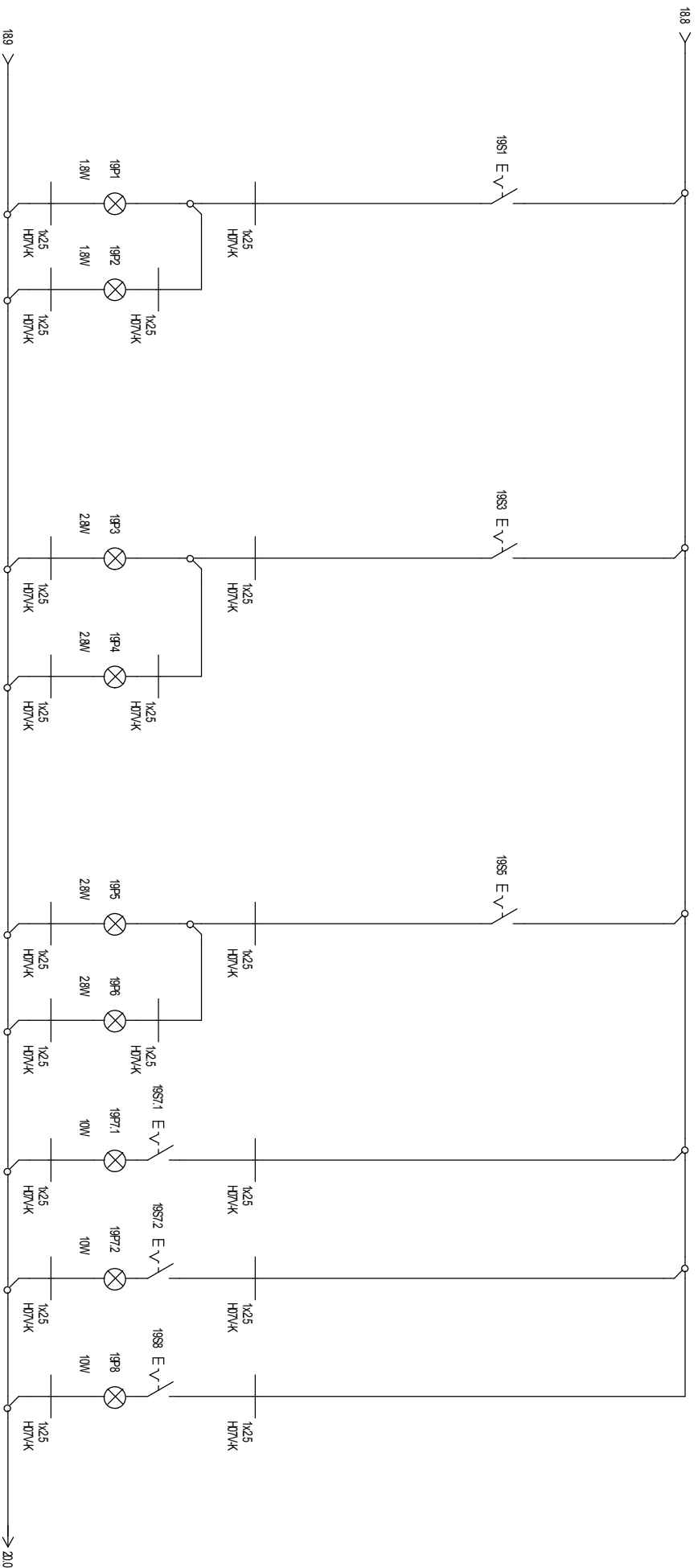
Respect protective note DIN 34!

PREVIOUS PAGE: 17		DRAWN BY: M.S.P. Nolte GmbH		DISCRIPTION: Interlights standard		PROJECT: S.00.328.00 NAZEGL		ATTACHMENT:		NEXT PAGE: 19	
REV	DATE	CHANGE	name	DATE	name	Bavaria SD20				PAGE:	18
1				22.07.2012	Hemo Nolte					SHEET:	50
2				22.07.2012	Hemo Nolte						
3											



Bavariastale 1  
Gleisdorf  
D97232  
www.bavaria-yachtbau.com

Tomdorfer Hauptstr. 30  
D-22045 Hamburg  
Tel.: +49 (0)40 688 602 88



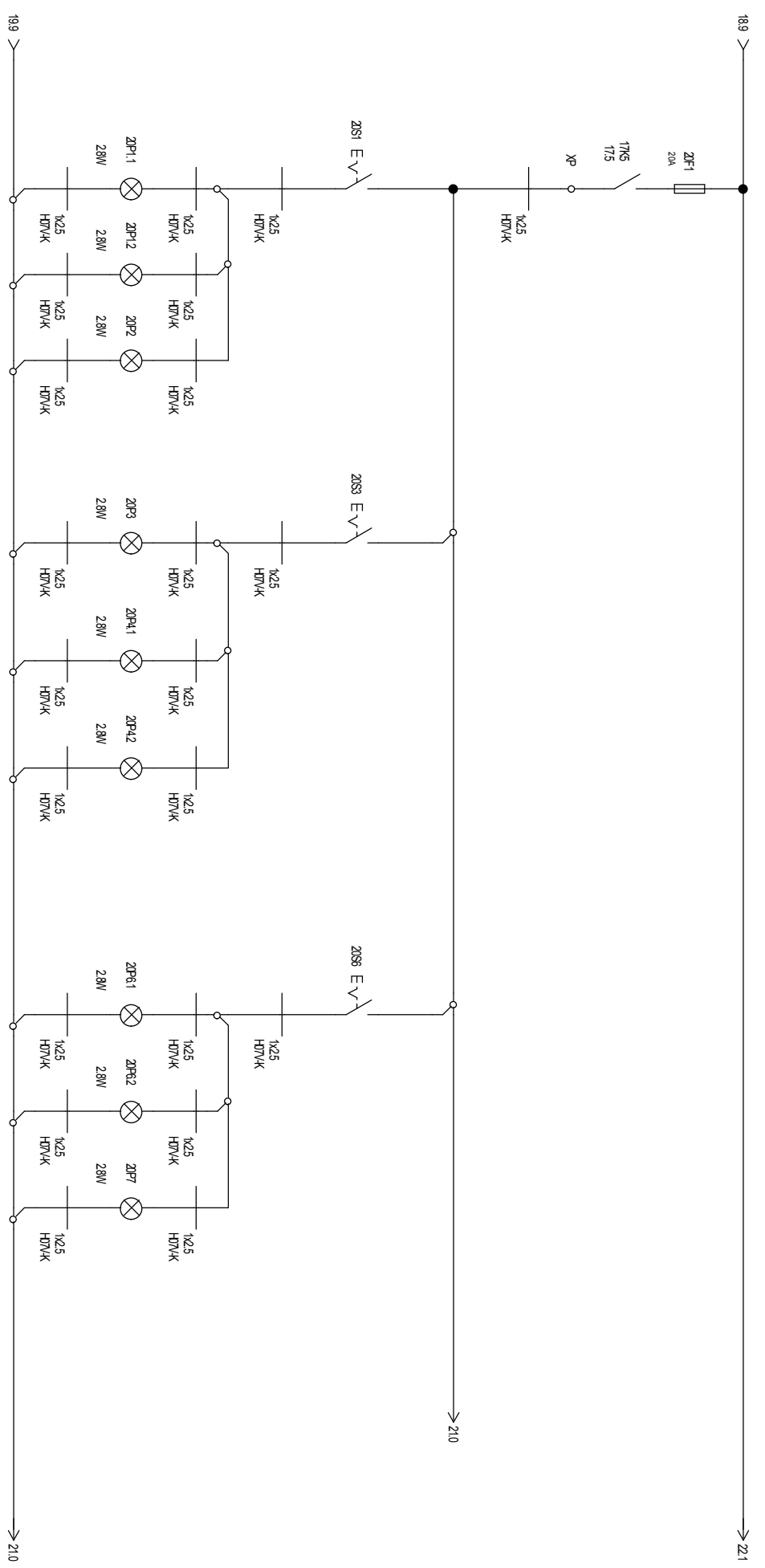
Respect protective note DIN 34!

PREVIOUS PAGE:		18		DRAWN BY:		M.S.P. Nolte GmbH		DISCRIPTION		PROJ.NO.:		ATTACHMENT:		NEXT PAGE:	
REV	DATE	CHANGE	name	DATE	name	Tomdorfer Hauptstr. 30		interlights standard		S.00.328.00 NAZEGL		Bavaria SD20		PAGE: 19	
1				22.07.2012	Hemo Nolte	D-22045 Hamburg								SHEET: 50	
2				22.07.2012	Hemo Nolte	Tel.: +49 (0)40 688 602 88									
3															



Bavariastraße 1  
 D97232 Gleisdorf  
 www.bavaria-yachtbau.com

0 1 2 3 4 5 6 7 8 9



Respect protective note DIN 34!

PREVIOUS PAGE:		19	
REV	DATE	CHANGE	name
1			
2			
3			

DATE	22.07.2012	name	Herno Nolte
CHECK	22.07.2012	name	Herno Nolte
APPR.			

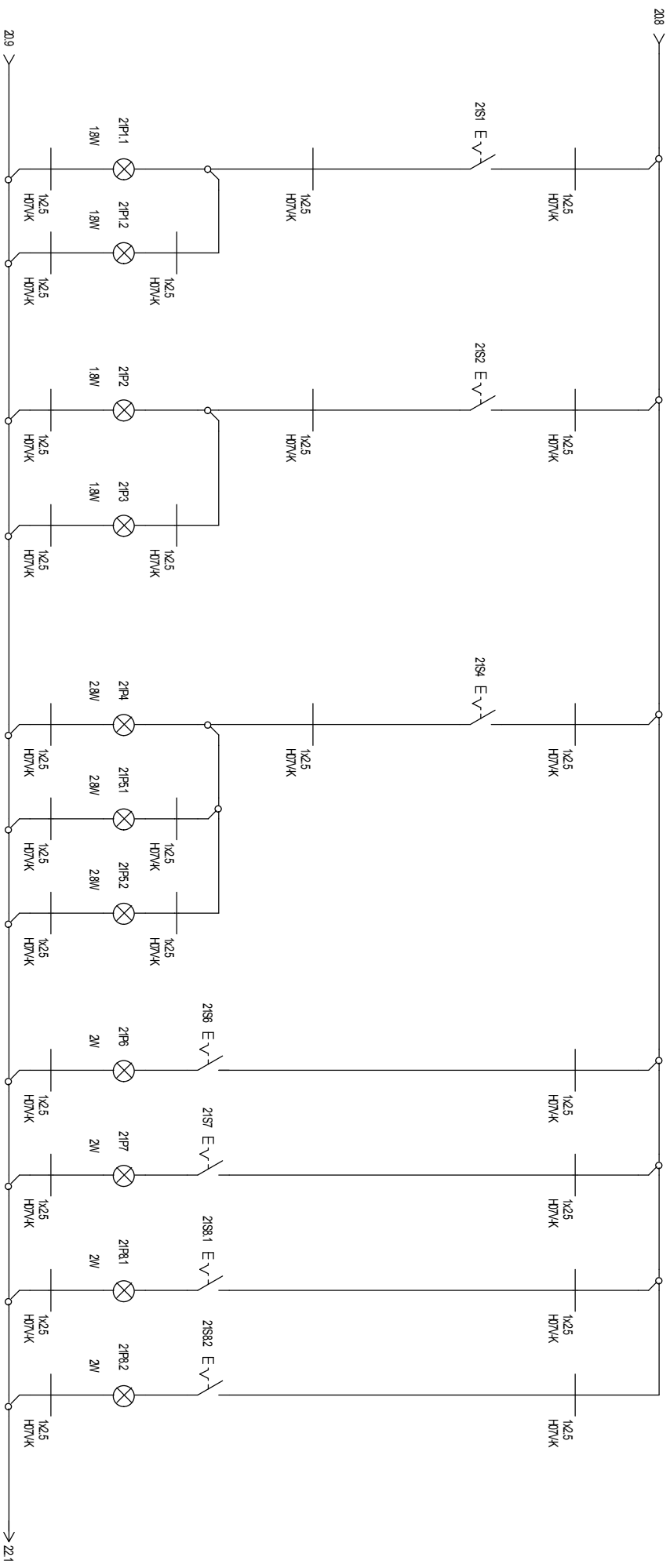


Beratungsstelle 1  
 D97232 Gleisdorf  
 www.bavaria-yachtbau.com

DRAWN BY:	M.S.P. Nolte GmbH
DISCRIPTION	interior lights porsche

PROJ. NO.:	S400.328.00 NAZEGL
ATTACHMENT:	Bavaria SD20
PAGE:	20
SHEET:	50

NEXT PAGE: 21

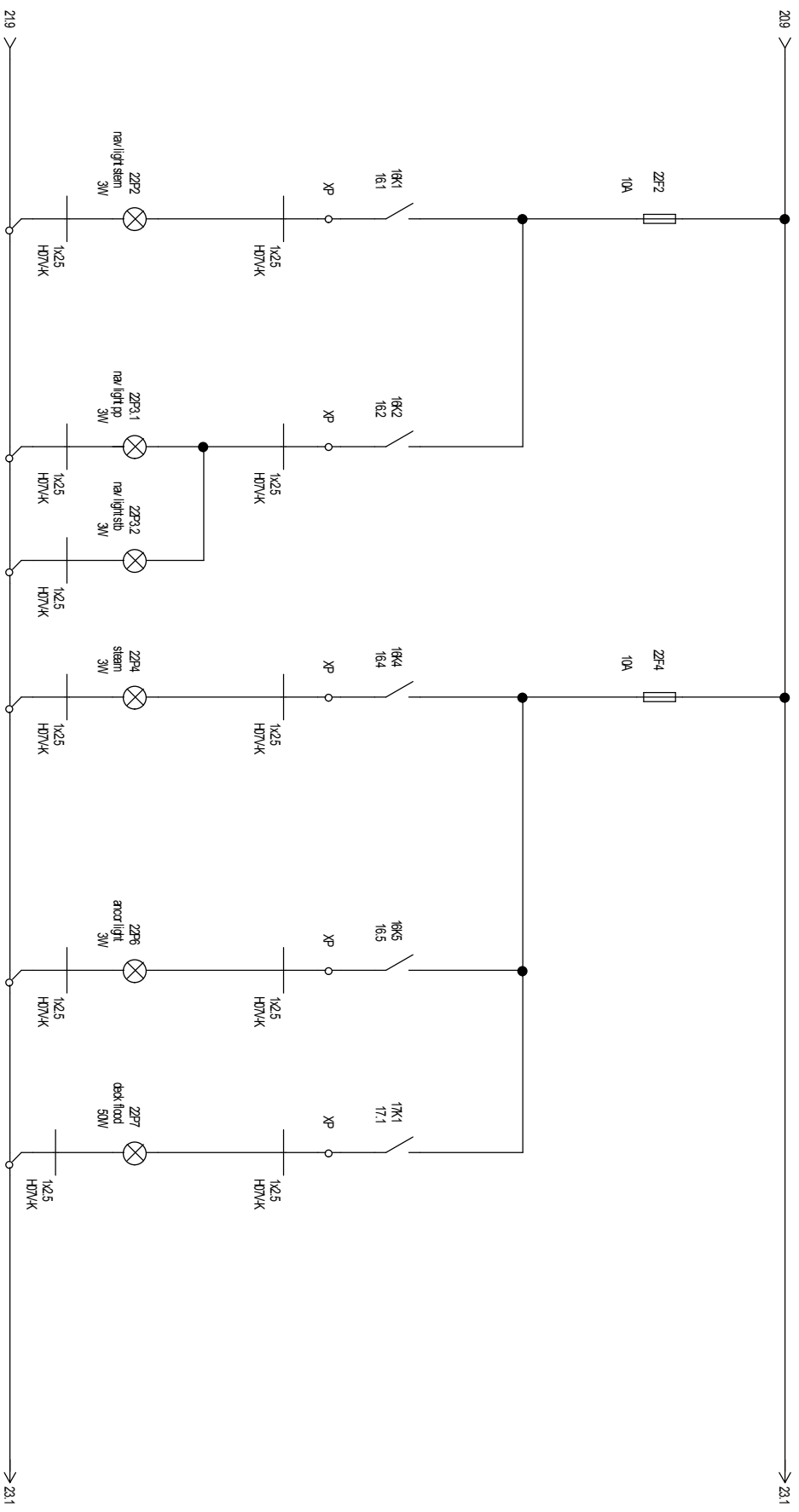


PREVIOUS PAGE: 20		DRAWN BY: M.S.P. Nolte GmbH		DISCRIPTION: Interiorgifs postide		PROJECT: S.O.0328.00 N/AZEG1		ATTACHMENT:		NEXT PAGE: 22	
REV	DATE	CHANGE	name	DATE	name	Bavaria SD20				PAGE: 21	
1				22.07.2012	Herno Nolte					SHEET: 50	
2				22.07.2012	Herno Nolte						
3											



DRAWING: D97232  
 CHECK: 22.07.2012  
 APPR:  
 Baraistrasse 1  
 Gleisdorf  
 D-22045 Hamburg  
 Tel.: +49 (0)40 688 602 88  
 www.bavaria-yachtbau.com

0 1 2 3 4 5 6 7 8 9



Respect protective note DIN 34!

PREVIOUS PAGE: 21		DRAWN BY: M.S.P. Nolte GmbH		DISCRIPTION: navigation lights		PROJECT: S400.328.00 NAZEGL		ATTACHMENT:		NEXT PAGE: 23	
REV	DATE	CHANGE	name	DATE	name	Bavaria SD20		PAGE: 22		SHEET: 50	
1				22.07.2012	Helmo Nolte						
2				22.07.2012	Helmo Nolte						
3											

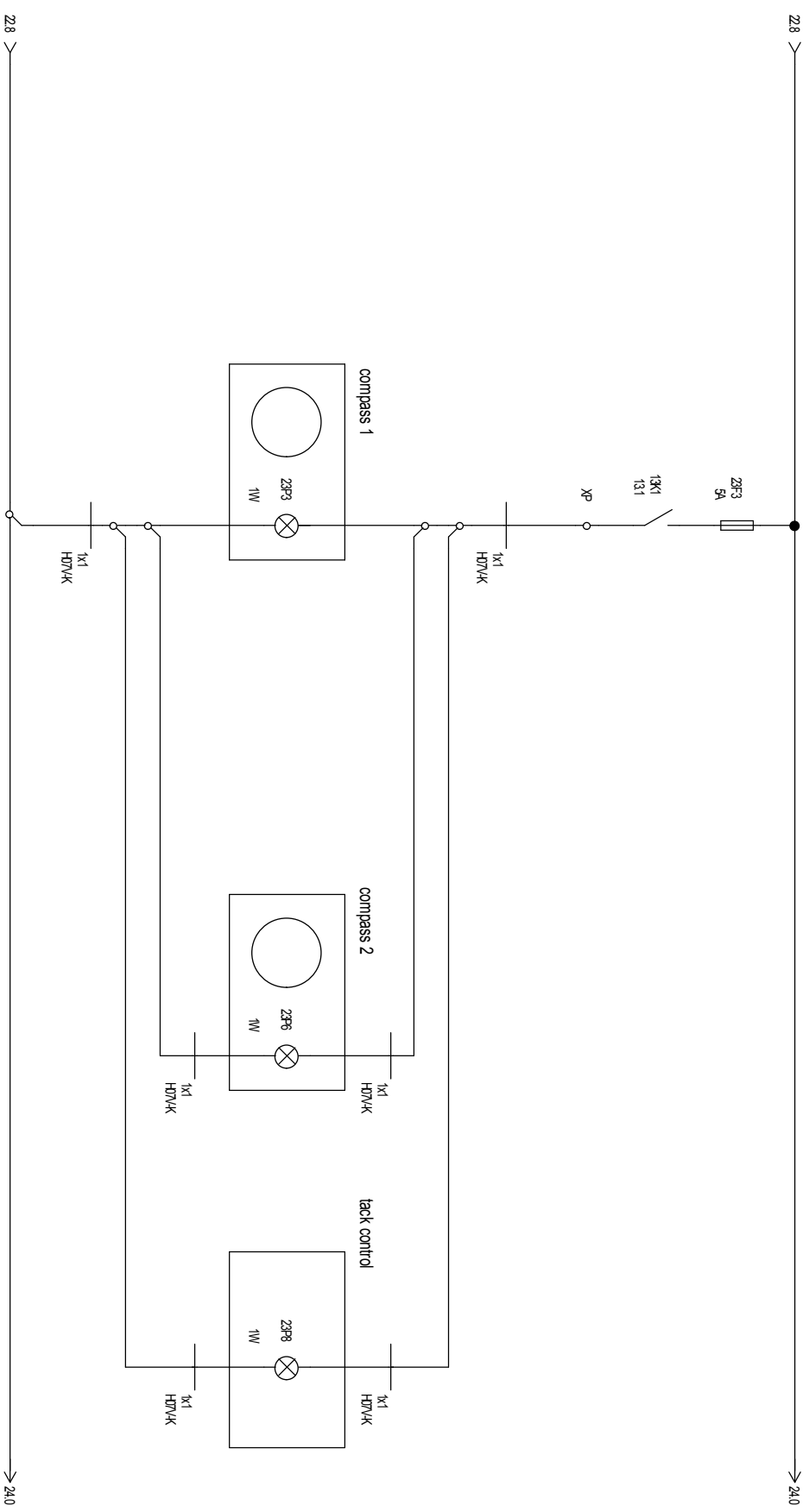


Bavaria SD20  
Gleisestad  
D97232  
www.bavaria-yachtbau.com

Tomdorfer Hauptstr. 30  
D-22045 Hamburg  
Tel.: +49 (0)40 688 602 88

0 1 2 3 4 5 6 7 8 9

Respect protective note DIN 34!



PREVIOUS PAGE:		22	
REV	DATE	CHANGE	name
1	15.02.2012	add tack control	Notle
2			
3			
DRAWN		DATE	name
CHECK		22.07.2012	Heino Notle
APPR.			

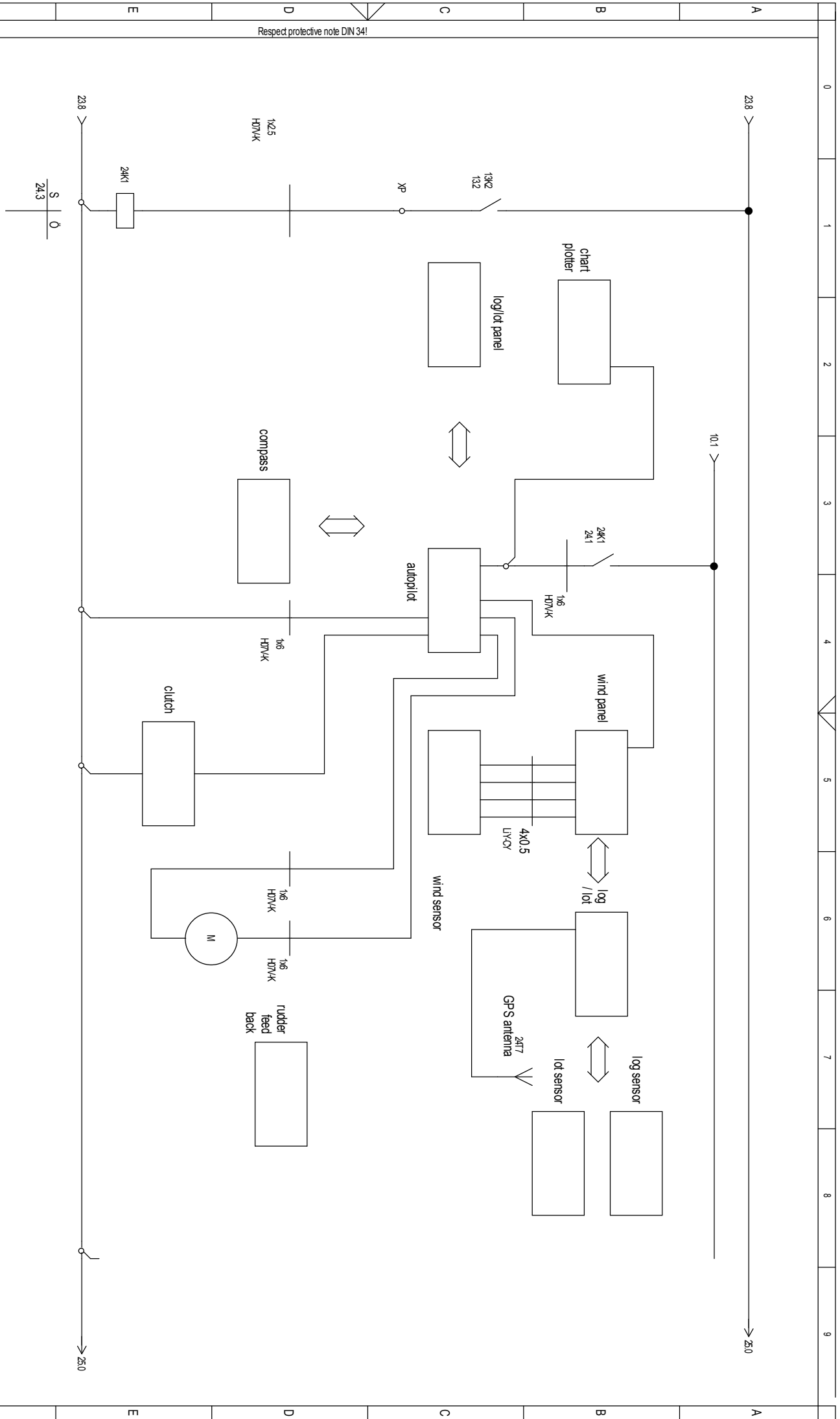


Bavariestade 1  
 D97232 Gieselsdatt  
 www.bavaria-yachtbau.com

DRAWN BY:	DISCRIPTION	PROJNO:	ATTACHMENT:
M.S.P. Notle GmbH Tomdorfer Hauptstr. 30 D-22045 Hamburg Tel.: +49 (0)40 688 802 88	compass	S400.328.00 NAZEGL	Bavaria SD20

NEXT PAGE: 24

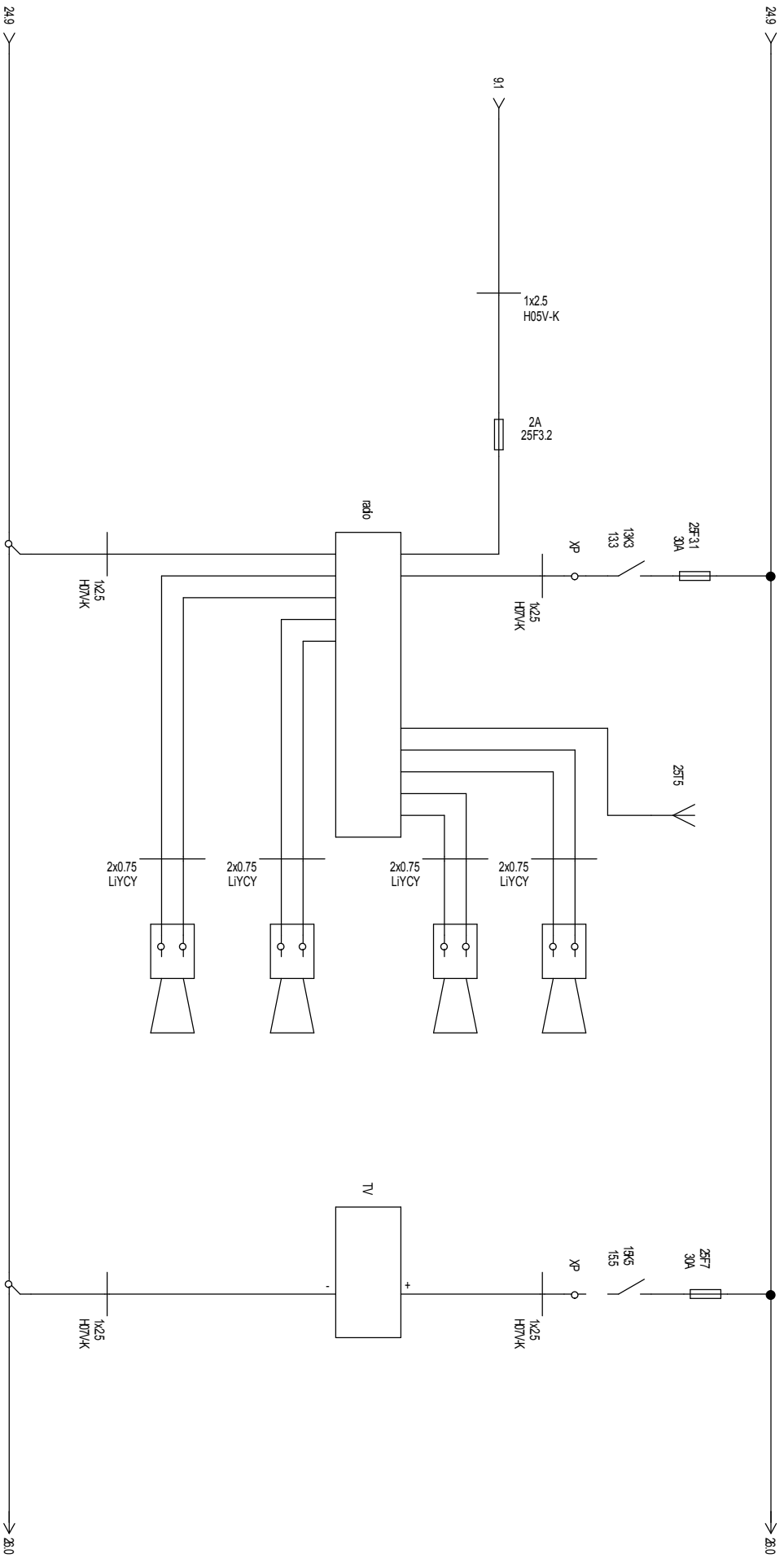
PAGE: 23  
 SHEET: 50



PREVIOUS PAGE: 23		DRAWN BY: M.S.P. Nolte GmbH		DISCRIPTION: navigation		PROJECT: S00.328.00 NMAZEG1		ATTACHMENT:		NEXT PAGE: 25	
REV	DATE	CHANGE	name	DATE	name	DATE	name	DATE	name	DATE	name
1				22.07.2012	Herno Nolte	22.07.2012	Herno Nolte				
2											
3											
DRAWN: D97232				CHECK: D97232				APPR: D97232			
www.bavaria-yachtbau.com				Bavaria Yachtbau GmbH				Gleisdorf 1			
D-22045 Hamburg				Tomdorfer Hauptstr. 30				D-22045 Hamburg			
Tel.: +49 (0)40 688 602 88											
Bavaria SD20								PAGE: 24			
								SHEET: 50			



Respect protective note DIN 34!



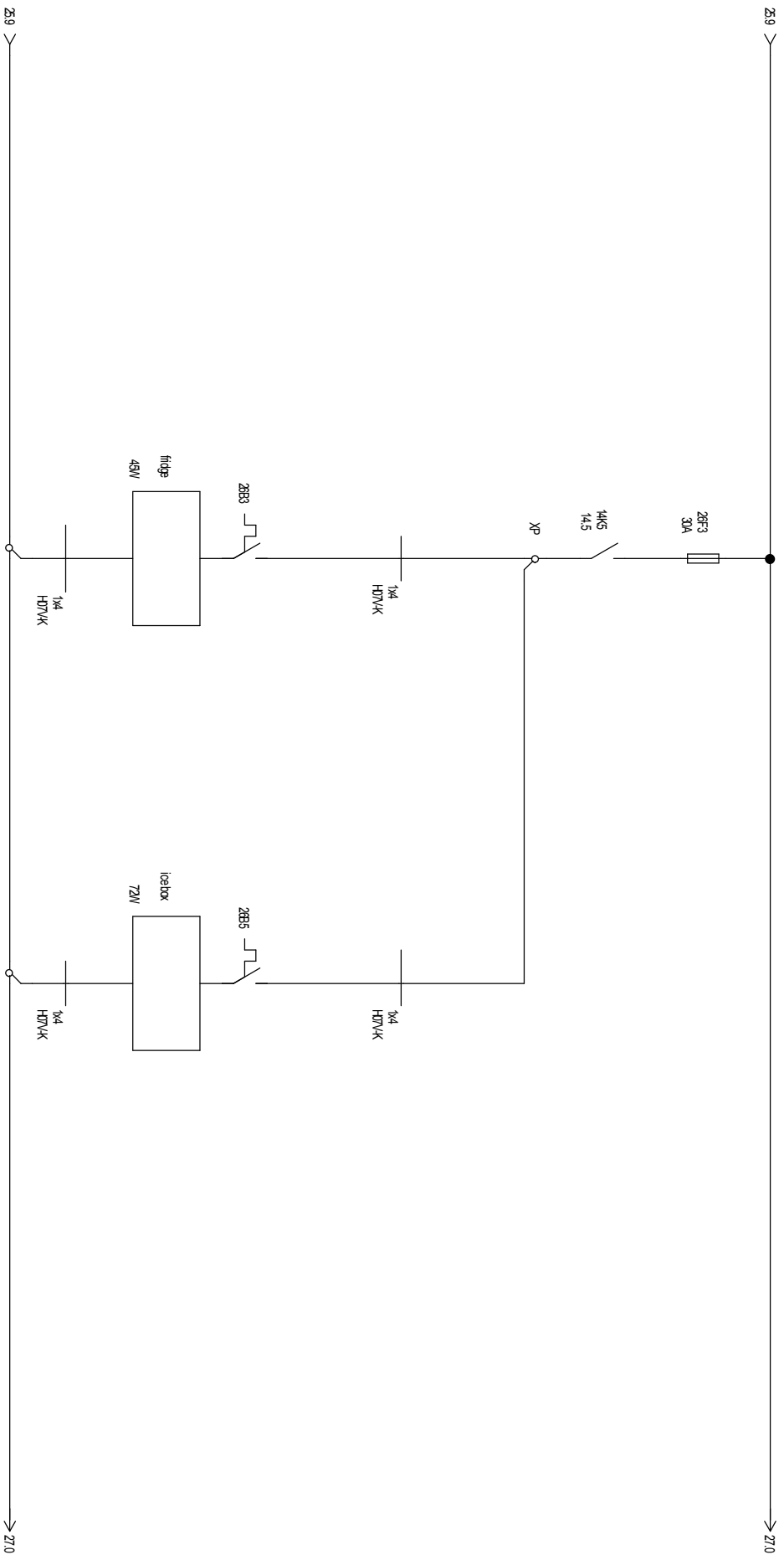
PREVIOUS PAGE:		24	name		DATE		name		DRAWN BY:		DISCRIPTION		PROJ.NO.:		ATTACHMENT:		NEXT PAGE:	
REV	DATE	CHANGE	name	DATE	name	DATE	name	name	M.S.P. Nolte GmbH	radio	S400.328.00	MAZEGL	Bavaria SD20					26
1				22.07.2012	Hemo Nolte				Tomdorfer Hauptstr. 30									25
2				22.07.2012	Hemo Nolte				D-22045 Hamburg									
3									Tel.: +49 (0)40 668 602 88									50



Bavaria 1  
D9722 Glebelek  
www.bavaria-yachtbau.com

0 1 2 3 4 5 6 7 8 9

Respect protective note DIN 34!

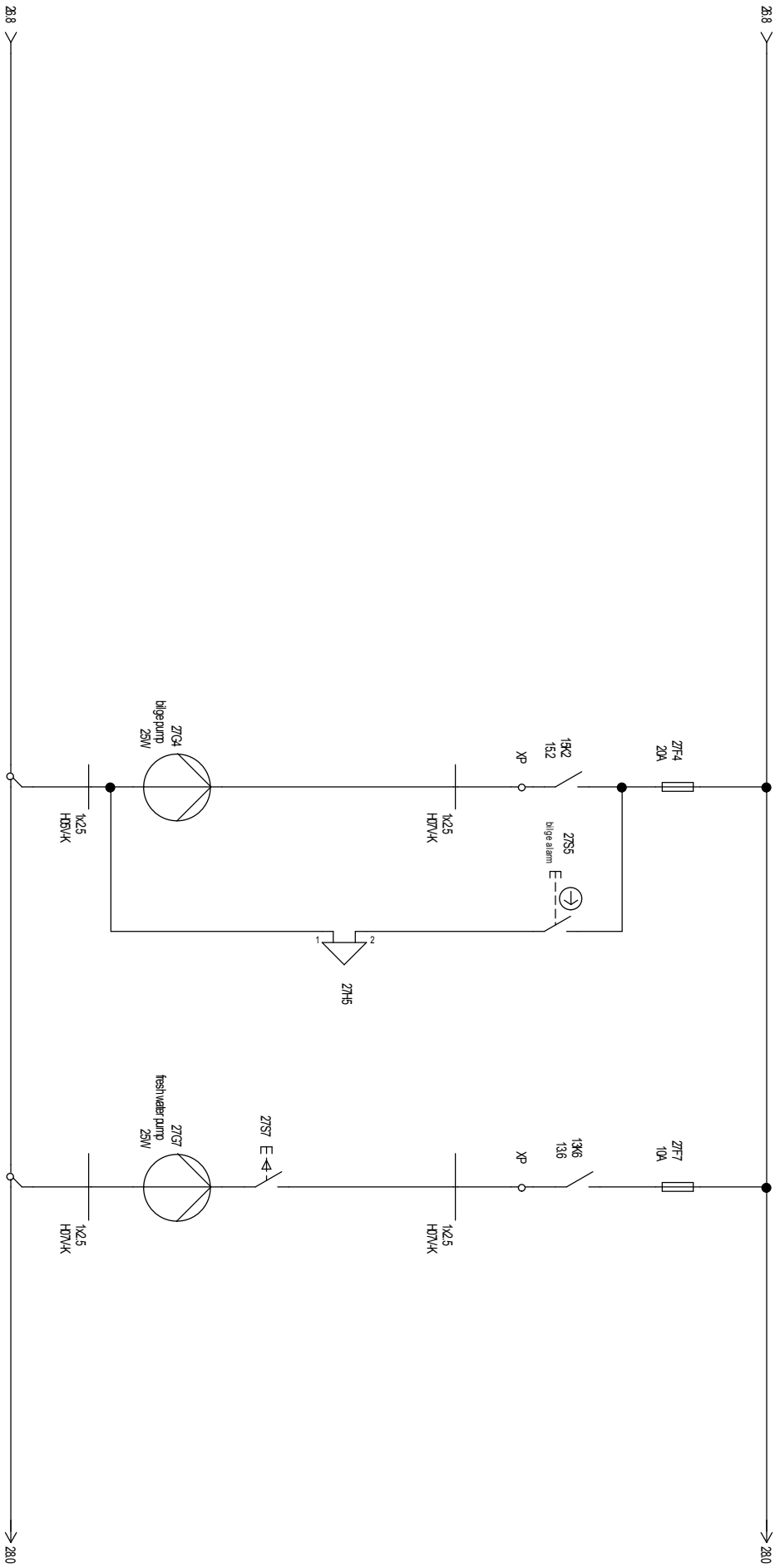


PREVIOUS PAGE: 25		DRAWN BY: M.S.P. Nolte GmbH		DISCRIPTION: fridge		PROJ.NO.: S400.328.00 NAZEGL		ATTACHMENT:		NEXT PAGE: 27	
REV	DATE	CHANGE	name	DATE	name	Bavaria SD20		PAGE: 26		SHEET: 50	
1			Heino Nolte	22.07.2012	Heino Nolte						
2			Heino Nolte	22.07.2012	Heino Nolte						
3											


**BAVARIA**  
 Betriebsstelle 1  
 Gleisfeld 1  
 D97232  
 www.bavaria-yachtbau.com

Tomdorfer Hauptstr. 30  
 D-22045 Hamburg  
 Tel.: +49 (0)40 688 802 88

Respect protective note DIN 34!



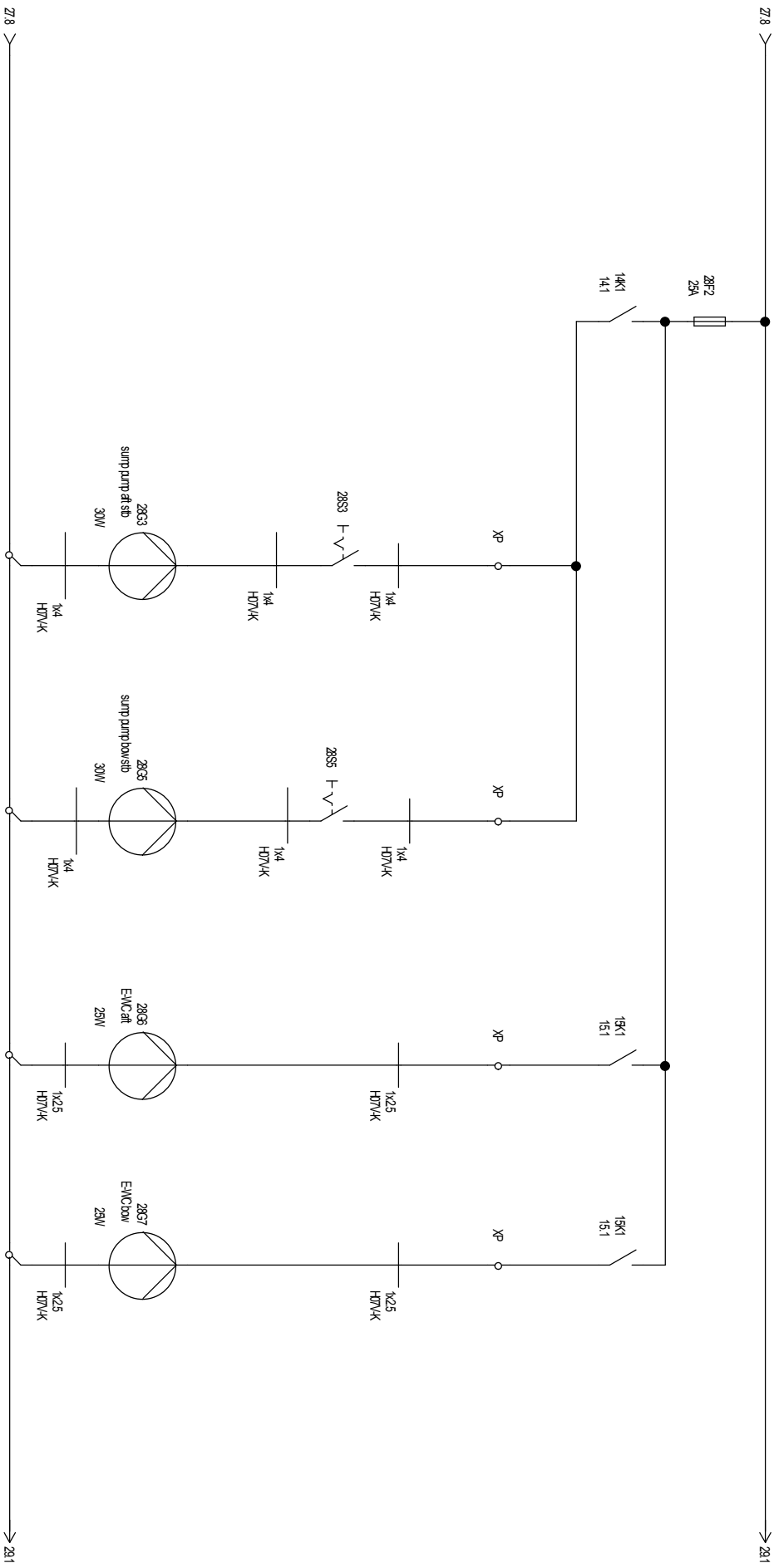
PREVIOUS PAGE: 26		DRAWN BY: M.S.P. Nolte GmbH		DISCRIPTION: bilge pump		PROJNO.: S400.328.00 NAZEGL		ATTACHMENT:		NEXT PAGE: 28	
REV	DATE	CHANGE	name	DATE	name					PAGE: 27	
1	22.07.2012		Hemo Nolte	15.02.2012	Hemo Nolte						
2				22.07.2012	Hemo Nolte						
3										SHEET: 50	

**BAVARIA**  
 Bavariastade 1  
 Gieselerdamm  
 D-22045 Hamburg  
 www.bavaria-yachtbau.com

Tel.: +49 (0)40 668 602 88

Bavaria SD20

0 1 2 3 4 5 6 7 8 9



Respect protective note DIN 34!

PREVIOUS PAGE:		Z7		DRAWN BY:		M.S.P. Nolte GmbH		DISCRIPTION:		wastewater pump		PROJ. NO.:		S.00.328.00 N/AZEG1		ATTACHMENT:		NEXT PAGE:		29	
REV	DATE	CHANGE	name	DATE	name	DATE	name	DATE	name	DATE	name	DATE	name	DATE	name	DATE	name	DATE	name	DATE	name
1	15.02.2012	rem. s pump, add EWC	Nolte	15.02.2012	Herno Nolte	15.02.2012	Herno Nolte	15.02.2012	Herno Nolte	15.02.2012	Herno Nolte	15.02.2012	Herno Nolte	15.02.2012	Herno Nolte	15.02.2012	Herno Nolte	15.02.2012	Herno Nolte	15.02.2012	Herno Nolte
2																					
3																					

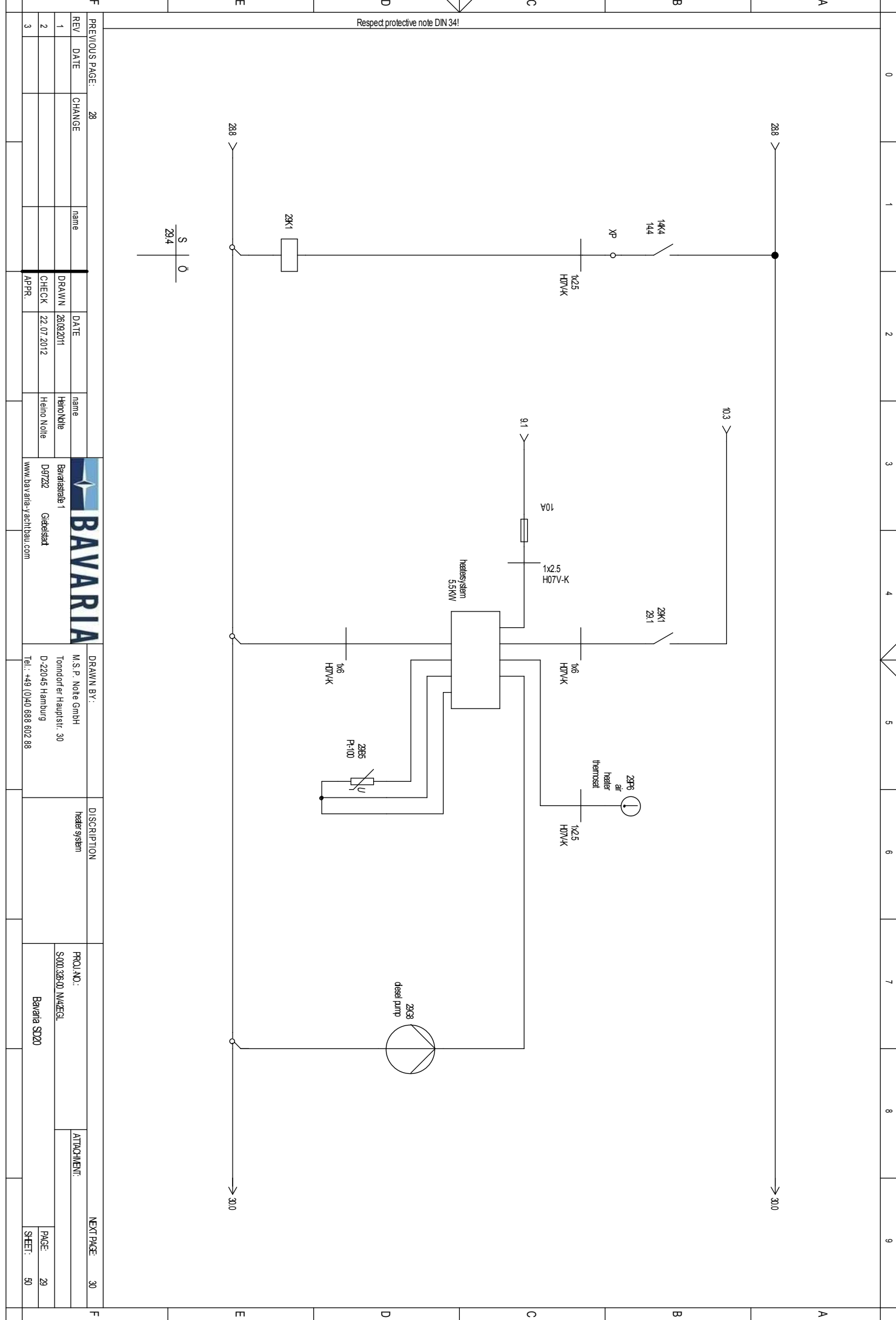


Bavariastalle 1  
Gleisdorf  
D97232  
www.bavaria-yachtbau.com

M.S.P. Nolte GmbH  
Tomdorfer Hauptstr. 30  
D-22045 Hamburg  
Tel.: +49 (0)40 688 602 88

Bavaria SD20

PAGE: 28  
SHEET: 50



Respect protective note DIN 34!

PREVIOUS PAGE: 28		DRAWN BY: M.S.P. Nolte GmbH		DISCRIPTION: heater system		PROJECT: S400.328.00 N4ZEG1		ATTACHMENT:		NEXT PAGE: 30	
REV	DATE	CHANGE	name	DATE	name	DATE	name	DATE	name	DATE	name
1				26.09.2011	Hemo Nolte						
2				22.07.2012	Hemo Nolte						
3											
DRAWN: D9722				CHECK: D9722				APPR: D9722			
DRAWN BY: M.S.P. Nolte GmbH				DISCRIPTION: heater system				PROJECT: S400.328.00 N4ZEG1			
Tomdorfer Hauptstr. 30				D-22045 Hamburg				Bavaria SD20			
Tel.: +49 (0)40 688 602 88				www.bavaria-yachtbau.com				PAGE: 29			
								SHEET: 50			



S 0 29.4

2808  
diesel pump

2896  
air  
heater  
thermostat

heater system  
5.5kW

10A  
1x2.5  
H07V-K

1x2.5  
HTW/K

28/1  
28/1

28/1

288

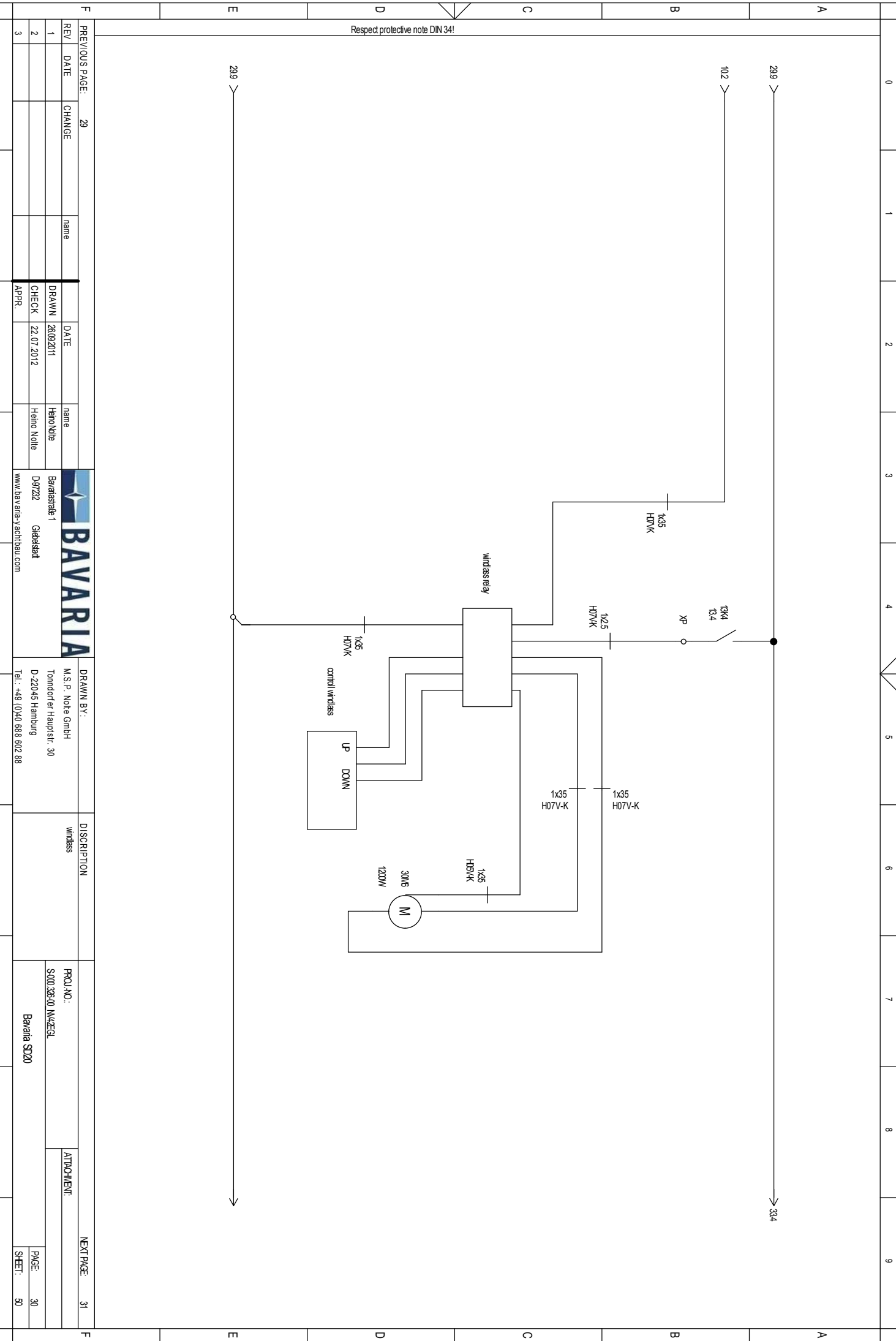
288

103

8/1

30.0

30.0



Respect protective note DIN 34!

PREVIOUS PAGE: 29



DRAWN BY: M.S.P. Nolte GmbH  
Tomdorfer Hauptstr. 30  
D-22045 Hamburg  
Tel.: +49 (0)40 688 602 88

DESCRIPTION: windlass

PROJNO.: S400.328.00 NAZEGL

ATTACHMENT: Bavaria SD20

REV	DATE	CHANGE	name	DATE	name
1					
2					
3					

REV	DATE	CHANGE	name	DATE	name
1	26.09.2011		Hemo Nolte		
2	22.07.2012		Hemo Nolte		
3					

BAVARIA  
Gleisdorf  
www.bavaria-yachtbau.com

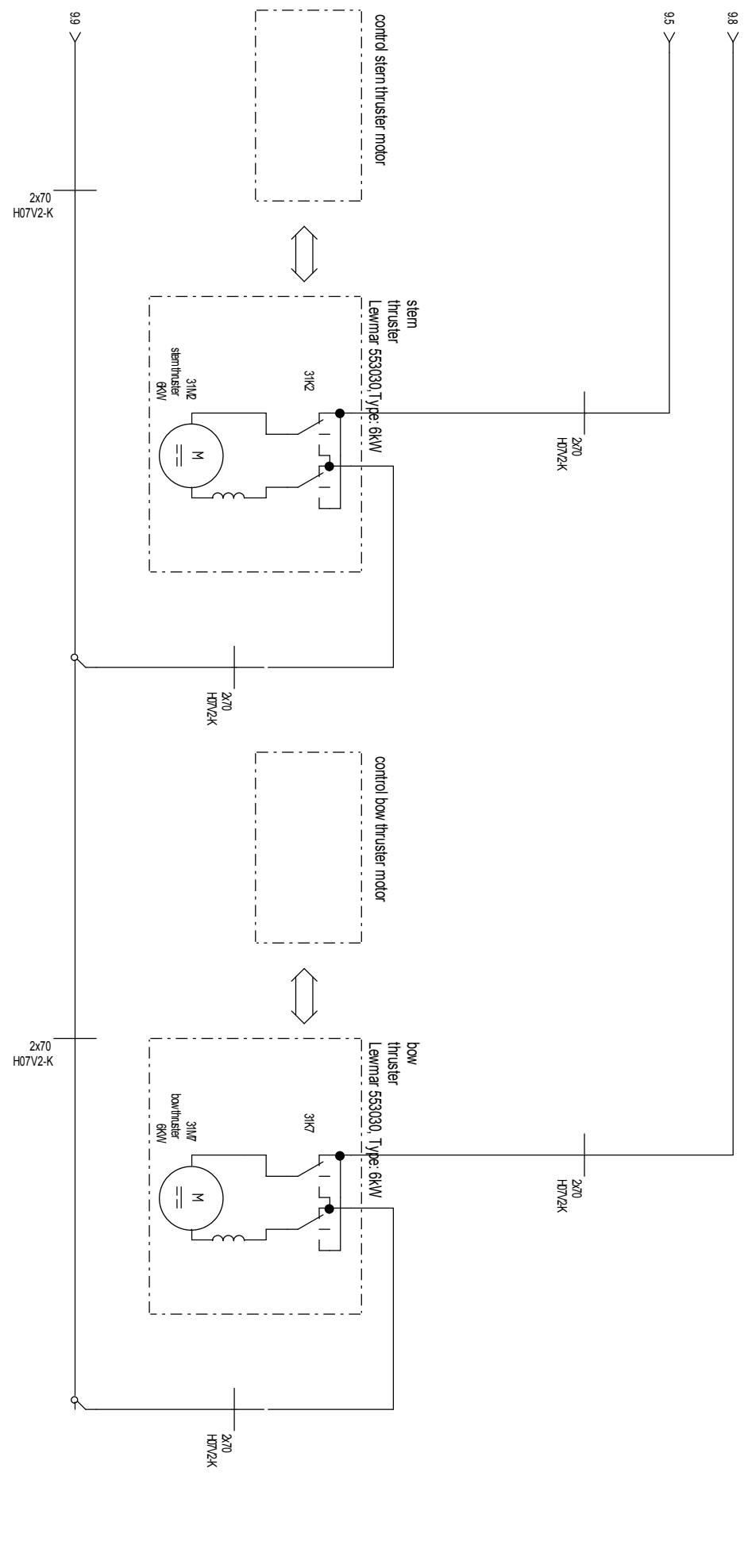
DISCRIPTION: windlass

PROJNO.: S400.328.00 NAZEGL  
Bavaria SD20

ATTACHMENT: Bavaria SD20  
PAGE: 30  
SHEET: 50

NEXT PAGE: 31

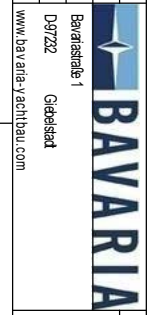
0 1 2 3 4 5 6 7 8 9



Respect protective note DIN 34!

PREVIOUS PAGE:	30	name		DATE	26.09.2011	name	Herno Nolte	BAVARIA	DRAWN BY:	M.S.P. Nolte GmbH	DISCRIPTION	bow and stern thruster	PROJ.NO.:	S400.328.00 N4ZEG1	ATTACHMENT:		NEXT PAGE:	32
REV	DATE	CHANGE		DATE	22.07.2012	name	Herno Nolte											
1																		
2																		
3																		

APPR.																		
CHECK																		
DRAWN																		
DATE																		
CHANGE																		

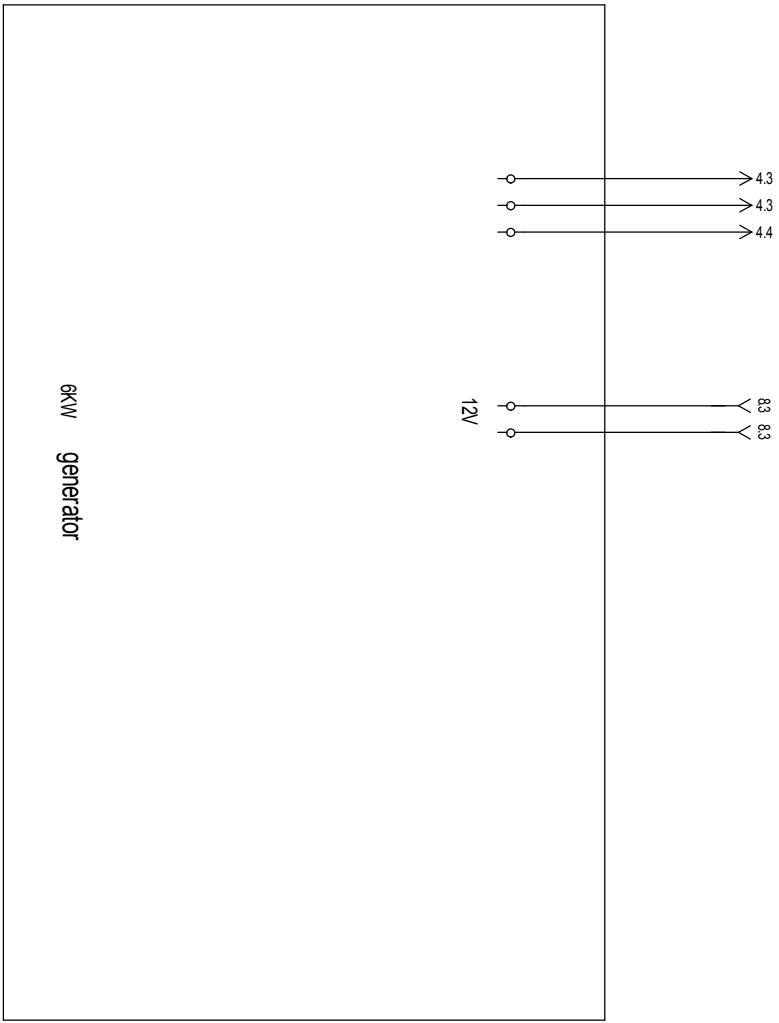


BAVARIA	GLEISERBAU	www.bavaria-yachtbau.com	Tomdorfer Hauptstr. 30 D-22045 Hamburg Tel.: +49 (0)40 668 602 88
---------	------------	--------------------------	---

PAGE:	31
SHEET:	50


0 1 2 3 4 5 6 7 8 9

Respect protective note DIN 34!

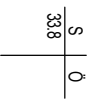
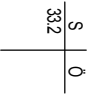
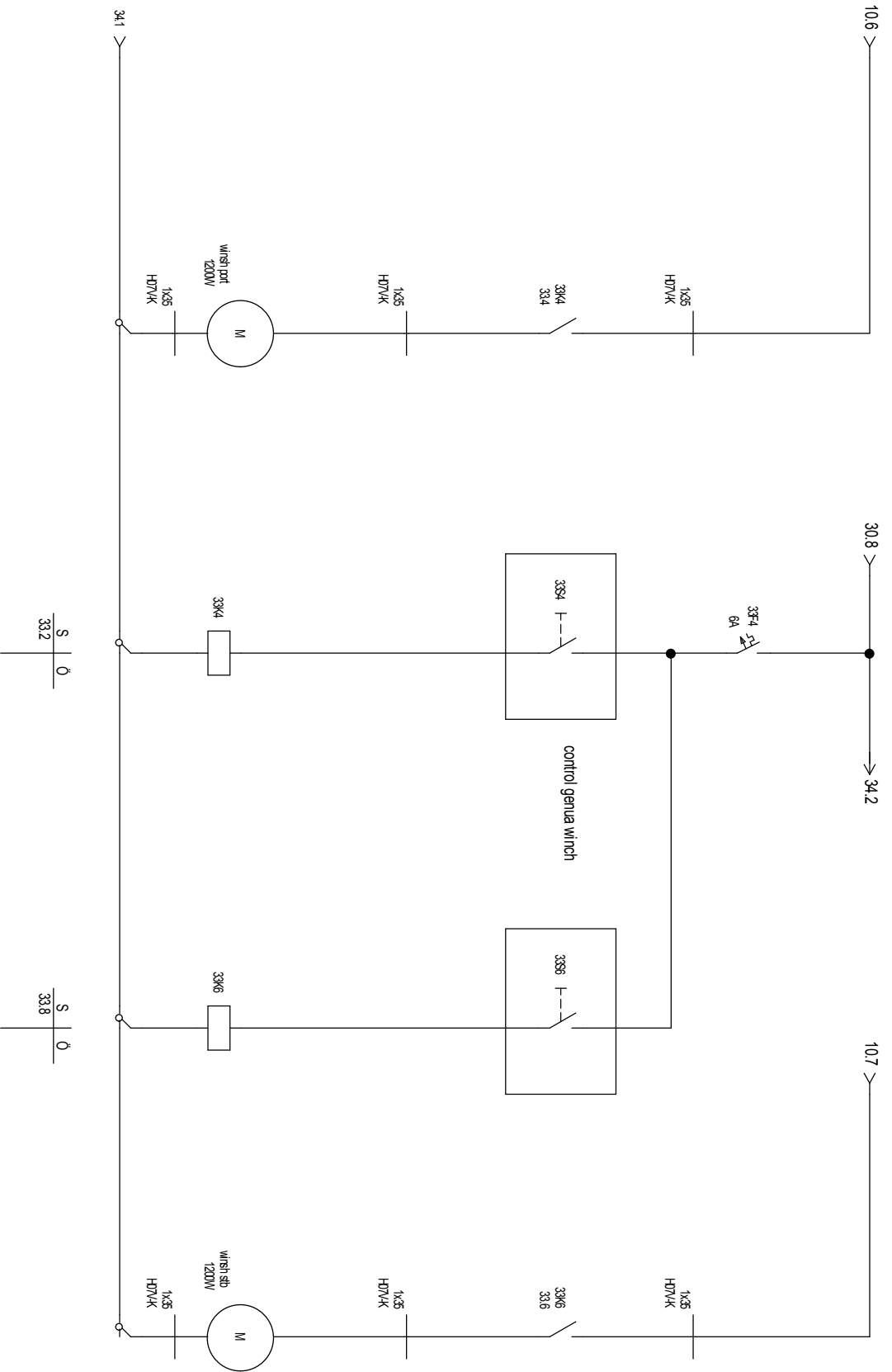


PREVIOUS PAGE:		CHANGE		31	
REV	DATE	name	DATE	name	
1			DRAWN 22.07.2012	Hemo Nolte	
2			CHECK 22.07.2012	Hemo Nolte	
3			APPR.		

 <b>BAVARIA</b> Bayerstraße 1 20455 Hamburg www.bavaria-yachtbau.com		DRAWN BY: M.S.P. Nolte GmbH Tomdorfer Hauptstr. 30 D-22045 Hamburg Tel.: +49 (0)40 688 602 88
DISCRIPTION		generator
PROJNO:		S400.328.00 NAZEGL
ATTACHMENT:		Bavaria SD20
NEXT PAGE:		33
PAGE:	32	
SHEET:	50	





Respect protective note DIN 34!

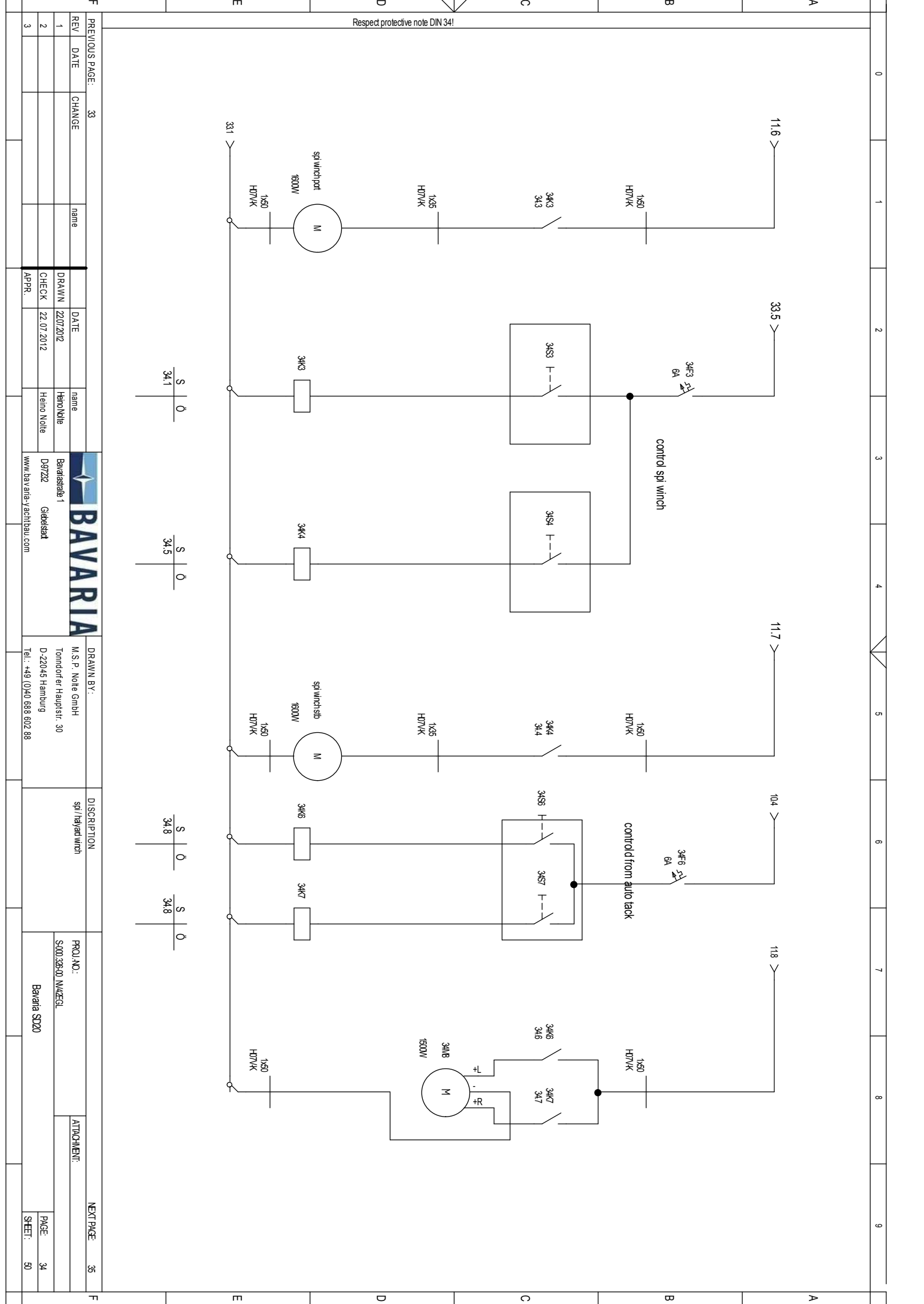
PREVIOUS PAGE: 32		DRAWN BY: M.S.P. Nolte GmbH		DISCRIPTION: genua winch		PROJNO.: S400.328.00 NAZEGL		ATTACHMENT:		NEXT PAGE: 34	
REV	DATE	CHANGE	name	DATE	name	DATE	name	DATE	name	PAGE:	33
1				DRAWN	12/02/2012	Herno Nolte	Bavaria SD20			SHEET:	50
2				CHECK	22.07.2012	Herno Nolte					
3				APPR.							



Bavariastrasse 1  
 207722 Gledsiedel  
 www.bavaria-yachtbau.com

D-22045 Hamburg  
 Tomdorfer Hauptstr. 30  
 Tel.: +49 (0)40 688 602 88

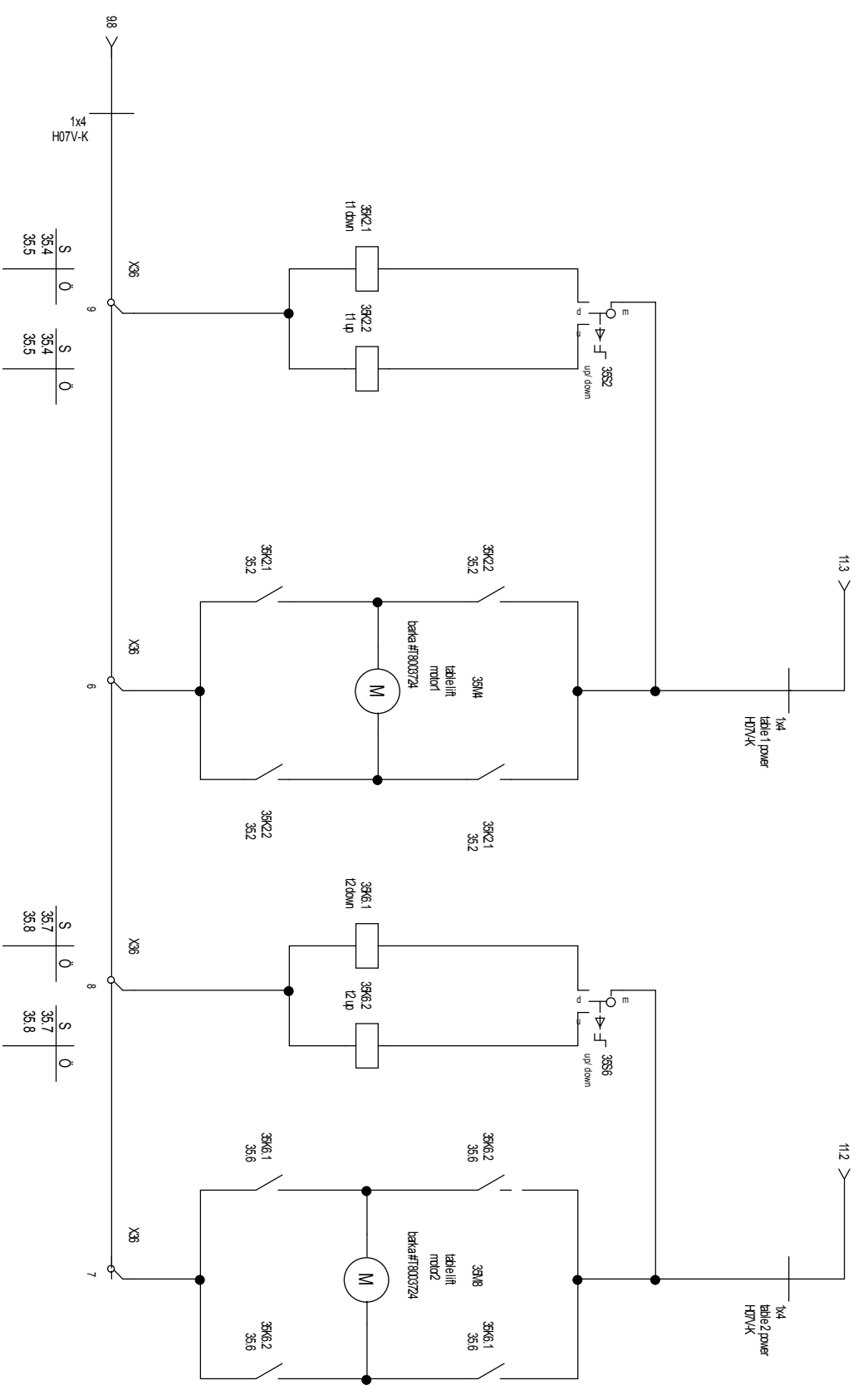
0	1	2	3	4	5	6	7	8	9
---	---	---	---	---	---	---	---	---	---



Respect protective note DIN 34!

PREVIOUS PAGE: 33		DRAWN BY: M.S.P. Nolte GmbH		DISCRIPTION: spi / halver wirtch		PROJ. NO.: S0032800 NA2EG1		ATTACHMENT:		NEXT PAGE: 35	
REV	DATE	CHANGE	name	DATE	name	BAVARIA	D-22045 Hamburg	Bavaria SD20		PAGE: 34	SHEET: 50
1				22.07.2012	Heino Nolte	Tomdorfer Hauptstr. 30					
2				22.07.2012	Heino Nolte	D97232 Gleisstadt					
3						www.bavaria-yachtbau.com					

0 1 2 3 4 5 6 7 8 9

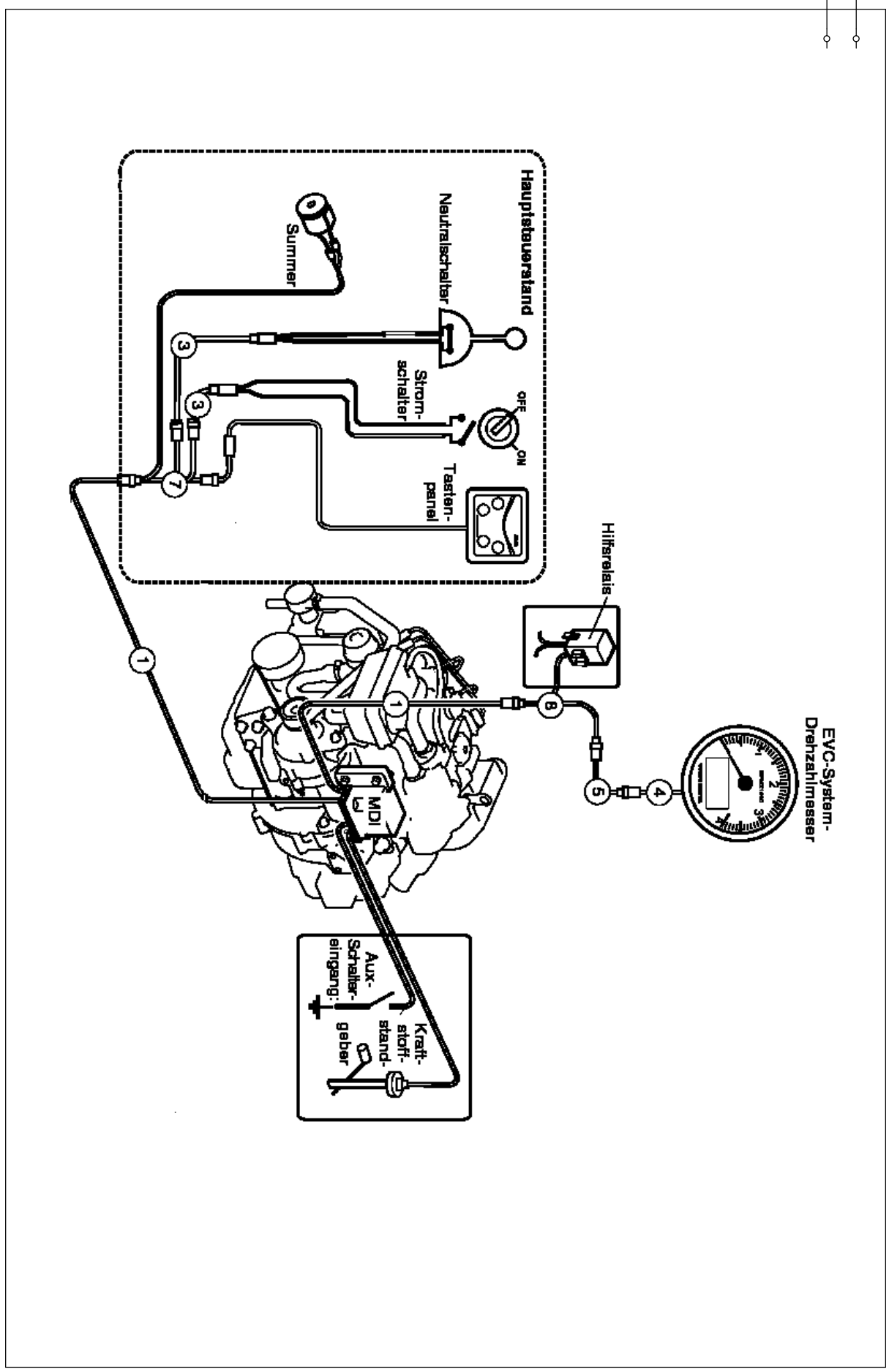
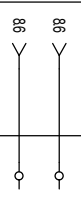


Respect protective note DIN 34!

PREVIOUS PAGE:		34	
REV	DATE	CHANGE	name
1		DRAWN	12/02/2012
2		CHECK	22/07/2012
3		APPR.	

DRAWN BY:		M.S.P. Nolte GmbH	
DISCRIPTION		table lift	
PROJ.NO.:		S400.328.00 N4ZEG1	
ATTACHMENT:		Bavaria SD20	
NEXT PAGE:		36	
DRAWING DATE:		12/02/2012	
DRAWING CHECK:		22/07/2012	
DRAWING APPR.:			
name:		Heino Nolte	
name:		Heino Nolte	
Bavariastraße 1		Gleisdorf	
D-22045 Hamburg			
Tel.: +49 (0)40 688 602 88			
www.bavaria-yachtbau.com			
PAGE:		35	
SHEET:		50	





Respect protective note DIN 34!

PREVIOUS PAGE:		31	name		DATE		name		DRAWN BY:		DISCRIPTION		PROJ.NO.:		ATTACHMENT:		NEXT PAGE:	
REV	DATE	CHANGE																
1			DRAWN		24.09.2011		Hemo Nolle		M.S.P. Nolle GmbH		engine		S00.297.02 OREGI.				33	
2			CHECK		18.03.2011		Hemo Nolle		Tomdorfer Hauptstr. 30				Bavaria SD20				PAGE: 33	
3			APPR.						D-22045 Hamburg								SHEET: 45	




Bavariastalle 1  
D9722 Gleisdorf  
www.bavaria-yachtbau.com

Tel.: +49 (0)40 688 602 88

0 1 2 3 4 5 6 7 8 9

index	El-Cab	material list	information to material
1007-000000-00		cable LIYCY 6x0,5	Temp. max. 80°C, DIN 47100, VDE 0812
1007-000001-00		cable LIY-CY 4*0,5	Temp. max. 80°C, DIN 47100, VDE 0812
1007-000019-00		cable LIY-CY 2x0,75	Temp. max. 80°C, DIN 47100, VDE 0812
1000-006194-00		cable LIY 1x0,25 black	Temp. max. 80°C, VDE 0812, 73/23/EWG, CE
1001-005983-00		cable H07 V-K 1x4,00 red	Temp. max. 80°C, VDE 0295 KI 5/IEC 60228 KI 5, VDE 0281 t. 3
1003-007086-00		cable H07 V-K 1x25,00black	Temp. max. 80°C, VDE 0295 KI 5/IEC 60228 KI 5, VDE 0281 t. 3
1003-000005-00		cable H07 V-K 1x120,00 red	Temp. max. 80°C, VDE 0295 KI 5/IEC 60228 KI 5, VDE 0281 t. 3
		cable H07V2-K 1x120 red	Temp. -40°C do +90°C, VDE 0295 KI 5/IEC 60228 KI 5, VDE 0281
1003-000009-00		cable H07 Z-K 1x35 red	Temp. max. 80°C, VDE 0295 KI 5/IEC 60228 KI 5, VDE 0281 t. 3
1003-004094-00		cable H07 V-K 1x95,00black	Temp. max. 80°C, VDE 0295 KI 5/IEC 60228 KI 5, VDE 0281 t. 3
1003-000001-00		cable H07 V-K 1x95,00 red	Temp. max. 80°C, VDE 0295 KI 5/IEC 60228 KI 5, VDE 0281 t. 3
1003-004097-00		cable H07 V-K 1x70,00black	Temp. max. 80°C, VDE 0295 KI 5/IEC 60228 KI 5, VDE 0281 t. 3
1003-000002-00		cable H07 V-K 1x70,00 red	Temp. max. 80°C, VDE 0295 KI 5/IEC 60228 KI 5, VDE 0281 t. 3
1002-004285-00		cable H07 V-K 1x6,00black	Temp. max. 80°C, VDE 0295 KI 5/IEC 60228 KI 5, VDE 0281 t. 3
1002-004099-00		cable H07 V-K 1x6,00 red	Temp. max. 80°C, VDE 0295 KI 5/IEC 60228 KI 5, VDE 0281 t. 3
1002-006572-00		cable H07 V-K 1x6,00 green-yellow	Temp. max. 80°C, VDE 0295 KI 5/IEC 60228 KI 5, VDE 0281 t. 3
1003-004229-00		cable H07 V-K 1x50,00black	Temp. max. 80°C, VDE 0295 KI 5/IEC 60228 KI 5, VDE 0281 t. 3
1003-000003-00		cable H07 V-K 1x50,00 red	Temp. max. 80°C, VDE 0295 KI 5/IEC 60228 KI 5, VDE 0281 t. 3
1001-006507-00		cable H07 V-K 1x4,00 white	Temp. max. 80°C, VDE 0295 KI 5/IEC 60228 KI 5, VDE 0281 t. 3
1001-006620-00		cable H07 V-K 1x4,00 black	Temp. max. 80°C, VDE 0295 KI 5/IEC 60228 KI 5, VDE 0281 t. 3
1001-006515-00		cable H07 V-K 1x4,00 brown	Temp. max. 80°C, VDE 0295 KI 5/IEC 60228 KI 5, VDE 0281 t. 3
1003-004505-00		cable H07 V-K 1x35,00black	Temp. max. 80°C, VDE 0295 KI 5/IEC 60228 KI 5, VDE 0281 t. 3
1003-004585-00		cable H07 V-K 1x35,00 red	Temp. max. 80°C, VDE 0295 KI 5/IEC 60228 KI 5, VDE 0281 t. 3
1003-005843-00		cable H07 V-K 1x35,00 red	Temp. max. 80°C, VDE 0295 KI 5/IEC 60228 KI 5, VDE 0281 t. 3
1003-006503-00		cable H07 V-K 1x25,00 red	Temp. max. 80°C, VDE 0295 KI 5/IEC 60228 KI 5, VDE 0281 t. 3
1001-004111-00		cable H07 V-K 1x2,50 white	Temp. max. 80°C, VDE 0295 KI 5/IEC 60228 KI 5, VDE 0281 t. 3
1001-004376-00		cable H07 V-K 1x2,50black	Temp. max. 80°C, VDE 0295 KI 5/IEC 60228 KI 5, VDE 0281 t. 3

Respect protective note DIN 34!


PREVIOUS PAGE: 38		DRAWN BY: M.S.P. Nolte GmbH		NEXT PAGE: 38	
REV	DATE	CHANGE	name	name	ATTACHMENT:
1			DRAWN	06.03.2011	Herno Nolte
2			CHECK	22.07.2012	Herno Nolte
3			APPR.		
			D97232 Gabelstad www.bavaria-yachtbau.com		
D-22045 Hamburg Tel.: +49 (0)40 668 602 88			PROJ.NO.: S00328-00 N/AZEG1 Bavaria SD20		
D97232 Gabelstad www.bavaria-yachtbau.com			PAGE: 37 SHEET: 50		



0 1 2 3 4 5 6 7 8 9

Respect protective note DIN 34!

index	El-Cab	material list	information to material
1001-004101-00		cable H07 V-K 1x2,50 blue	Temp. max. 80°C, VDE 0295 KI 5/IEC 60228 KI. 5, VDE 0281 t. 3
1001-004102-00		cable H07 V-K 1x2,50 red	Temp. max. 80°C, VDE 0295 KI 5/IEC 60228 KI. 5, VDE 0281 t. 3
1001-005836-00		cable H07 V-K 1x2,50 pink	Temp. max. 80°C, VDE 0295 KI 5/IEC 60228 KI. 5, VDE 0281 t. 3
1001-004378-00		cable H07 V-K 1x2,50 green-yellow	Temp. max. 80°C, VDE 0295 KI 5/IEC 60228 KI. 5, VDE 0281 t. 3
1001-004108-00		cable H07 V-K 1x2,50 gray	Temp. max. 80°C, VDE 0295 KI 5/IEC 60228 KI. 5, VDE 0281 t. 3
1001-004110-00		cable H07 V-K 1x2,50 yellow	Temp. max. 80°C, VDE 0295 KI 5/IEC 60228 KI. 5, VDE 0281 t. 3
1001-004112-00		cable H07 V-K 1x2,50 violet	Temp. max. 80°C, VDE 0295 KI 5/IEC 60228 KI. 5, VDE 0281 t. 3
1001-004577-00		cable H07 V-K 1x2,50 brown	Temp. max. 80°C, VDE 0295 KI 5/IEC 60228 KI. 5, VDE 0281 t. 3
1003-004504-00		cable H07 V-K 1x16,00black	Temp. max. 80°C, VDE 0295 KI 5/IEC 60228 KI. 5, VDE 0281 t. 3
1003-001912-00		cable H07 V-K 1x16,00 red	Temp. max. 80°C, VDE 0295 KI 5/IEC 60228 KI. 5, VDE 0281 t. 3
1003-005869-00		cable H07 V-K 1x16,00 red	Temp. max. 80°C, VDE 0295 KI 5/IEC 60228 KI. 5, VDE 0281 t. 3
1003-004574-00		cable H07 V-K 1x120,00black	Temp. max. 80°C, VDE 0295 KI 5/IEC 60228 KI. 5, VDE 0281 t. 3
		cable H07V2-K 1x120 black	Temp. -40°C do +90°C, VDE 0295 KI 5/IEC 60228 KI. 5, VDE 0281
1002-005000-00		cable H07 V-K 1x10,00black	Temp. max. 80°C, VDE 0295 KI 5/IEC 60228 KI. 5, VDE 0281 t. 3
1002-004067-00		cable H07 V-K 1x10,00 red	Temp. max. 80°C, VDE 0295 KI 5/IEC 60228 KI. 5, VDE 0281 t. 3
1002-004068-00		cable H07 V-K 1x10,00 red	Temp. max. 80°C, VDE 0295 KI 5/IEC 60228 KI. 5, VDE 0281 t. 3
1000-004373-00		cable H07 V-K 1x1,50black	Temp. max. 80°C, VDE 0295 KI 5/IEC 60228 KI. 5, VDE 0281 t. 3
1000-004338-00		cable H07 V-K 1x1,50 red	Temp. max. 80°C, VDE 0295 KI 5/IEC 60228 KI. 5, VDE 0281 t. 3
1000-005752-00		cable H07 V-K 1x1,50 pink	Temp. max. 80°C, VDE 0295 KI 5/IEC 60228 KI. 5, VDE 0281 t. 3
1000-005932-00		cable H07 V-K 1x1,50 green-yellow	Temp. max. 80°C, VDE 0295 KI 5/IEC 60228 KI. 5, VDE 0281 t. 3
1000-005608-00		cable H07 V-K 1x1,50 gray	Temp. max. 80°C, VDE 0295 KI 5/IEC 60228 KI. 5, VDE 0281 t. 3
1000-004460-00		cable H07 V-K 1x1,50 yellow	Temp. max. 80°C, VDE 0295 KI 5/IEC 60228 KI. 5, VDE 0281 t. 3
1000-004543-00		cable H07 V-K 1x1,50 brown	Temp. max. 80°C, VDE 0295 KI 5/IEC 60228 KI. 5, VDE 0281 t. 3
1000-004374-00		cable H07 V-K 1x1,50 blau	Temp. max. 80°C, VDE 0295 KI 5/IEC 60228 KI. 5, VDE 0281 t. 3
1000-007186-00		cable H07 V-K 1x1,00black	Temp. max. 80°C, VDE 0295 KI 5/IEC 60228 KI. 5, VDE 0281 t. 3
1006-000100-00		cable H05 VV-F 3x1,00 white	Temp. max. 80°C, VDE 0295 KI 5/IEC 60228 KI. 5
1000-006538-00		cable H05 V-K 1x1,00 red	Temp. max. 80°C, VDE 0295 KI 5/IEC 60228 KI. 5, VDE 0281
1000-006539-00		cable H05 V-K 1x1,00 brown	Temp. max. 80°C, VDE 0295 KI 5/IEC 60228 KI. 5, VDE 0281

PREVIOUS PAGE: 37		DRAWN BY: M.S.P. Nolte GmbH		NEXT PAGE: 38	
REV	DATE	CHANGE	name	PROJ.NO.:	ATTACHMENT:
1				S0032820	NAZESG
2				Baaria SD20	
3					
DRAWN		DATE	name	DRAWN BY:	
CHECK		22.07.2012	Herno Nolte	M.S.P. Nolte GmbH	
APPR.				Tomdorfer Hauptstr. 30	
				D-22045 Hamburg	
				Tel.: +49 (0)40 668 602 88	
				www.bavaria-yachtbau.com	
					
				D9722 Gabelstad D-22045 Hamburg Tel.: +49 (0)40 668 602 88	
				cable specification	
				Baaria SD20	
				PAGE: 38 SHEET: 50	

# cable list

Object 1 (to external)	cable identifier	description / funktion	cable type	cross-section	color	length	sheet	path	object 2 (from internal)
	X215	earth	HD7VK	6	GNVE	5,6	4	9	EBDE
	ZT57	fresh water pump	HD7VK	25	VT	10,4	Z7	7	XP-3
	X2112	fresh water pump	HD7VK	25	BK	10,3	Z7	7	ZT57
	2853	stoverden pump	HD7VK	4	RD	3,4	28	3	XP-13
	2853	stoverden pump	HD7VK	4	RD	1,8	28	3	2853
	X218	stoverden pump	HD7VK	4	BK	2,4	28	3	2853
	9T4	24H+	HD7VK	0,75	RD	2,5	9	4	9F-421
	9T9	24H+	HD7VK	0,75	RD	2,5	9	9	9F-821
	9T6	24H+	HD7VK	0,75	RD	2,5	9	6	9F-61
	9K4	stoverden pump	HD7VK	0,75	BN	9,5	9	4	9T4
	9K4	stoverden pump	HD7VK	0,75	OG	9,5	9	4	9T4
	9G9	stoverden pump	HD7VK	0,75	BN	9,5	9	9	9T9
	9G9	stoverden pump	HD7VK	0,75	OG	9,5	9	9	9T9
	9K6	stoverden pump	HD7VK	0,75	BN	9,5	9	6	9T6
	9K6	stoverden pump	HD7VK	0,75	OG	9,5	9	6	9T6
	X172	compass	HD7VK	1	BN	9,8	23	3	XP-117
	X1812	compass	HD7VK	0,75	BK	9,8	9	9	9K9
	X1813	compass	HD7VK	0,75	BK	9,8	9	6	9K6
	X2113	compass	HD7VK	1	BK	9,8	23	3	X182
	Z3F6	compass 2	HD7VK	1	BN	6,6	23	6	X171
	X181	compass 2	HD7VK	1	BN	6,6	23	6	Z3F6
	Z4K1	panel 3V/4kVpp	HD7VK	25	FK	8,65	24	1	XP-118
	X1816	ergjre fan	HD7VK	25	WH	0,1	8	9	9F-9
	ergjre fan	ergjre fan+	HD7VK	25	WH	2,85	8	9	9F-9
	X2164	ergjre fan	HD7VK	25	BK	6,3	8	9	ergjre fan
	X356	water fuel group	FEI_8x023	023		7,6	12	5	water fuel indicator a1
	X357	water fuel group	FEI_8x023	023		7,6	12	5	water fuel indicator a1
	X358	water fuel group	FEI_8x023	023		7,6	12	5	water fuel indicator a1
	X359	water fuel group	FEI_8x023	023		7,6	12	5	water fuel indicator a1

Schutzvermerk nach DIN 34 beachten!

PREVIOUS PAGE: NEXT PAGE: 40

REV	DATE	CHANGE	NAME	DATE	NAME
1			DRAWN	22.07.2012	Hemo Nolle
2			CHECK	22.07.2012	Hemo Nolle
3			APPR.		

**BAVARIA**

Bevarestrale 1  
Gleisdorf

D9722  
www.bavaria-yachtbau.com

DRAWN BY: M.S.P. Nolle GmbH  
Albert-Schweitzer-Ring 39  
D-22045 Hamburg  
Tel.: +49 (0)40 888 602 88

DESCRIPTION: cable list

PROJNO.: S-001-28500 NV4EG1

ATTACHMENT:

Bavaria SD20

PAGE: 39

SHEET: 50

# cable list

Object 1 (to external)	cable identifier	description / funktion	cable type	cross-section	color	length	sheet	path	object 2 (from internal)
X3S10	C119	water fuel gauge	FEL 5x023	023		7.6	12	5	water fuel indicator aft
X4S1	C120	waste water gauge	FEL 5x023	023	BU	11.8	12	3	waste water gauge
X4S2	C120	waste water gauge	FEL 5x023	023	BN	11.8	12	3	waste water gauge
10F1-1	C128	alcohol	HD7VK	6	RD	1	10	1	X1MS4
9F7	C127	fuel valve	HD7VK	1	RD	0.5	8	7	X1dot4
87FA1	C128	fuel valve	HD7VK	1	RD	3	8	7	9F7
11F8-1	C129	hazard warn	HD7VK	50	RD	1	11	8	X1MS5
Z38	C1131	text control	HD7VK	1	BN	6.6	23	8	X112
X182	C1141	text control	HD7VK	1	BN	6.6	23	8	Z38
Z8S5	C21	strawden pump	HD7VK	4	RD	11.7	28	5	XP-13
Z8S5	C22	strawden pump	HD7VK	4	RD	2.4	28	5	Z8S5
X219	C23	strawden pump	HD7VK	4	BK	11.4	28	5	Z8S5
Z8S3	C26	ridge	HD7VK	4	WH	5.9	28	3	XP-16
X2116	C27	ridge	HD7VK	4	BK	5.65	28	3	ridge
Z8S5	C28	ice box	HD7VK	4	WH	5.35	28	5	XP-16
X2117	C29	ice box	HD7VK	4	BK	6.85	28	5	ice box
10F3-1	C210	heater	HD7VK	6	RD	1	10	3	X1MS6
heater	C211	heater	HD7VK	6	RD	2.6	29	4	Z9K1
X2118	C212	heater	HD7VK	6	BK	1.9	29	4	heater
X221	C213	radio 24W	HB9VK	25	FK	4.3	25	2	Z9F32
radio	C214	speaker 1	L1VCY	075	WH	5.8	25	5	speaker 22
radio	C214	speaker 1	L1VCY	075	WH	5.8	25	5	speaker 21
radio	C215	speaker 2	L1VCY	075	WH	4.8	25	5	speaker 11
radio	C215	speaker 2	L1VCY	075	WH	4.8	25	5	speaker 12
radio	C216	speaker 3	L1VCY	075	WH	4	25	5	speaker 31
radio	C217	speaker 4	L1VCY	075	WH	4	25	5	speaker 42
radio	C217	speaker 4	L1VCY	075	WH	4	25	5	speaker 41
X3S1	C218	water fuel indicator	FEL 5x023	023		10.75	12	6	water fuel indicator bow

Schutzvermerk nach DIN 34 beachten!

PREVIOUS PAGE: 39      CHANGE      NAME      DATE      NAME      DRAWN BY:      DESCRIPTION      PROJ. NO.:      ATTACHMENT:      NEXT PAGE: 41

REV	DATE	CHANGE	NAME	DATE	NAME	DATE	NAME
1			DRAWN	22.07.2012	Hemo Nolle		Bavariastraße 1
2			CHECK	22.07.2012	Hemo Nolle		D9722 Gideckstad
3			APPR.				www.bavaria-yachtbau.com

**BAVARIA**

Albert-Schweitzer-Ring 39  
D-22045 Hamburg  
Tel.: +49 (0)40 888 602 88

Bavaria SD20      PAGE: 40      SHEET: 50



# cable list

Object 1 (to external)	cable identifier	description / funktion	cable type	cross-section	color	length	sheet	path	object 2 (from internal)
X382	C2.18	water fuel indicator	FEL 5x023	023		1075	12	6	water fuel indicator box
X383	C2.18	water fuel indicator	FEL 5x023	023		1075	12	6	water fuel indicator box
X384	C2.18	water fuel indicator	FEL 5x023	023		1075	12	6	water fuel indicator box
X385	C2.18	water fuel indicator	FEL 5x023	023	023	1075	12	6	water fuel indicator box
X551	C2.19	alupilot	H07VK	6	RD	34	24	3	24K1
X2159	C2.20	alupilot	H07VK	6	BK	31	24	4	alupilot
engine	C2.21	engine	H07VK	6	BK	32	24	6	alupilot
engine	C2.22	engine	H07VK	6	RD	36	24	6	alupilot
heater	C2.23	thermostat heater	H07VK	25	RD	1.8	29	6	29F6
Z9F4	C2.24	heater 24V+	H07VK	25	RD	2.1	29	4	heater
X1.80	C3.1	light cable	H07VK	25	WH		18	1	XP-107
18S1.2	C3.2	light cable	H07VK	25	WH		18	1	18S1.1
18S1.2	C3.2	light cable	H07VK	25	WH		18	1	18S1.1
X1.66	C3.3	light cable	H07VK	25	WH		18	1	18S1.2
X1.1	C3.4	light cable	H07VK	25	BK		18	1	18P1
X1.2	C3.5	light cable	H07VK	25	BK		18	2	18P2.1
X1.3	C3.7	light cable	H07VK	25	BK		18	2	18P2.2
X1.4	C3.8	light cable	H07VK	25	BK		18	3	18P3
X1.5	C3.8	light cable	H07VK	25	BK		18	4	18P4.1
X1.6	C3.9	light cable	H07VK	25	BK		18	4	18P4.2
X1.67	C3.10	light cable	H07VK	25	WH		18	5	18S5
X1.7	C3.11	light cable	H07VK	25	BK		18	5	18P5
X1.8	C3.12	light cable	H07VK	25	BK		18	6	18P6.1
X1.9	C3.13	light cable	H07VK	25	BK		18	6	18P6.2
X1.10	C3.14	light cable	H07VK	25	BK		18	7	18P7
X1.11	C3.15	light cable	H07VK	25	BK		18	8	18P8.1
X1.12	C3.17	light cable	H07VK	25	BK		18	8	18P8.2
Z8S7	C3.20	WC pump	H07VK	25	RD	7.25	28	7	XP-12
Z8S6	C3.20	WC pump	H07VK	25	RD	7.25	28	6	XP-120

Schutzvermerk nach DIN 34 beachten!

PREVIOUS PAGE: 40      CHANGE      NAME      DATE      NAME      DRAWN BY: M.S.P. Nolte GmbH      DESCRIPTION: cable list      PROJNO.: S-00128500 NV4REG1      ATTACHMENT:      NEXT PAGE: 42

REV	DATE	CHANGE	NAME	DATE	NAME	DATE	NAME	DATE	NAME
1			DRAWN	22.07.2012	Hemo Nolte		Bavariastraße 1		
2			CHECK	22.07.2012	Hemo Nolte		D9722		Gieselsbad
3			APPR.				www.bavaria-yachtbau.com		

**BAVARIA**

Albert-Schweitzer-Ring 39  
 D-22045 Hamburg  
 Tel.: +49 (0)40 888 602 88

PAGE: 41  
 SHEET: 50

# cable list

Object 1 (to external)	cable identifier	description / funktion	cable type	cross-section	color	length	sheet	path	object 2 (from internal)
	XZ111	WC pump	H07VK	25	BK	7.55	28	7	2857
	XZ172	WC pump	H07VK	25	BK	7.55	28	6	2856
	ZT94	blöge pump	H07VK	25	GY	9.95	27	4	XP-1
	XZ12	blöge pump	H5BK	25	BK	9.6	27	4	ZT94
	XZ12	blöge pump	H5VK	25	BK	9.6	27	4	ZT94
	radio	+TV	H07VK	25	VT	1.4	25	3	XP-119
	TV+	+TV	H07VK	25	VT	1.4	25	7	XP-121
	XZ11	- radio	H07VK	25	BK	1.4	25	3	radio
	XZ1	waste water gauge	FRL 20023	023	BU	5.15	12	2	waste water gauge 1
	XZ2	waste water gauge	FRL 20023	023	BN	5.15	12	2	waste water gauge 1
	ZZ2	na light stem	H07VK	25	RD	5.8	22	2	XP-108
	XL42	na light sb	H07VK	25	BK	5.8	22	2	ZZ2
	ZZ3.1	na light sb/pod	H07VK	25	BK	7.8	22	3	XP-109
	XL43	na light sb	H07VK	25	BK	7.8	22	3	
	XL44	na light sb	H07VK	25	BK	7.8	22	3	ZZ3.2
	ZZ4	light stem	H07VK	25	RD	10.2	22	4	XP-110
	XL45	light stem	H07VK	25	RD	10.2	22	4	ZZ4
	ZZ6	light ancor	H07VK	25	RD	8.2	22	6	XP-111
	XL46	light stem	H07VK	25	BK	8.2	22	6	ZZ6
	ZZ7	desk flood	H07VK	25	RD	12	22	7	XP-112
	XZ173	TV	H07VK	25	BK	1.4	25	7	TV-
	XL47	desk flood	H07VK	25	BK	12	22	7	ZZ7
	Z9K1	panel30/theadr	H07VK	25	RD	0.7	29	1	XP-11
	wind sensor	wind sensor	LVYCY	05	GN	1.6	24	5	wind panel
	wind sensor	wind sensor	LVYCY	05	BU	1.6	24	5	wind panel
	wind sensor	wind sensor	LVYCY	05	RD	1.6	24	5	wind panel
	wind sensor	wind sensor	LVYCY	05	YE	1.6	24	5	wind panel
	10F2.1	wireless	H07VK	36	RD	2	10	2	XMS.5
	wireless relay	wireless	H07VK	30	RD	0.2	30	3	10F2.2

Schutzvermerk nach DIN 34 beachten!

PREVIOUS PAGE: 41      CHANGE      NAME      DATE      NAME      DRAWN BY:      DESCRIPTION      PROJNO.:      ATTACHMENT:      NEXT PAGE: 43

REV	DATE	CHANGE	NAME	DATE	NAME	DATE	NAME
1			DRAWN	22.07.2012	Hemo Nöle	22.07.2012	Hemo Nöle
2			CHECK	22.07.2012	Hemo Nöle		
3			APPR.				

**BAVARIA**

Baraistraße 1  
Gleisdorf  
D-97232  
www.bavaria-yachtbau.com

M.S.P. Nöle GmbH  
Albert-Schweitzer-Ring 39  
D-22045 Hamburg  
Tel.: +49 (0)40 888 602 88

PAGE: 42  
SHEET: 50

# cable list

Object 1 (to external)	cable identifier	description / funktion	cable type	cross-section	color	length	sheet	path	object 2 (from internal)
	X2156	wireless	H07VK	50	BK		30	4	wireless relay
	wireless relay	supply ancor	H07VK	35	RD	7.9	30	5	30/6
	wireless relay	supply ancor	H07VK	35	BK	8.3	30	5	30/6
	30/6	supply engine	H07VK	35	RD	0.2	30	6	wireless relay
	X16113		H07VK	10	RD	1.8	8	2	gr21
		Charger / mainfuse	H07VK	16	RD	1	9	1	charger1kbsar
	X196		H07VK	50	RD	2	8	6	X1dofe4
	X1915	charger / X21	H07VK	50	BK	1.9	9	4	charger2-
		charger / X21	H07VK	16	BK	1.9	9	0	charger1-
	897-48		H07VK	50	RD	2	8	7	X1916
	charger/SlaveA	charger/fuse	H07VK	10	RD	1.9	8	2	gr22
	X15ee1	charger/fuse	H07VK	35	RD	1.9	9	1	
	X19111		H07VK	50	RD	2	8	4	batt iso1out1
		batt. iso1 / starter bat	H07VK	50	RD	2	8	4	batt iso1out1
	CS41		H07VK	50	RD	2	8	4	batt iso1out1
	X199		H07VK	50	RD	2	8	1	batt iso2out2
		batt. iso1 / starter bat	H07VK	50	RD	2	8	1	batt iso2out2
	C2862		H07VK	50	RD	2	8	1	batt iso2out2
		batt. iso1 / starter bat	H07VK	50	RD	2	8	1	batt iso2out1
	C2861		H07VK	50	RD	2	8	1	batt iso2out1
	X1910		H07VK	50	RD	2	8	1	batt iso2out1
		batt. iso1 AGM	H07VK	50	RD	2	8	1	batt iso2out1
	X1615		H07VK	120	BK	2.2	9	9	X16S4
		supply panel 301	H07VK	120	BK	2.2	9	9	-XP1
	895		H07VK	55	RD	0.7	8	5	X196
		starter	H07VK	55	RD	0.7	8	5	X196
	msst1		H07VK	50	BK	0.5	4	8	grundringkabel1
	X1911		H07VK	120	BK	0.7	9	2	X16122
		batt2/allocation	H07VK	120	BK	0.7	9	2	X16122
	X16113		H07VK	55	RD	1.35	8	4	895
		batt1/main switch	H07VK	55	RD	1.35	8	4	895
	X16114		H07VK	55	BK	0.35	8	4	X198
		battery1/engine	H07VK	55	BK	0.35	8	4	X198
	X16123		H07VK	120	RD	0.8	9	2	engine1ren2
		fusebat2	H07VK	120	RD	0.8	9	2	X15ee1
	X15ee2		H07VK	120	RD	0.4	9	2	X15ee2
		fusemain switch	H07VK	120	RD	0.4	9	2	X15ee2
	4F11		H07VK	6	BK	1	4	1	X01
		stove 1	H07VK	6	BK	1	4	1	X01

Schutzvermerk nach DIN 34 beachten!

PREVIOUS PAGE:	42	CHANGE	NAME	DATE	NAME		DRAWN BY:	DESCRIPTION	PROJNO.:	ATTACHMENT:	NEXT PAGE:
REV	DATE						M. S. P. Nolte GmbH	cable list	S-001-28500 NV4REG1		44
1			DRAWN	22.07.2012	Hemo Nöle	Bavariastraße 1 D97232 Gielesstad	Albert-Schweitzer-Ring 39 D-22045 Hamburg				PAGE: 43
2			CHECK	22.07.2012	Hemo Nöle	www.bavaria-yachtbau.com	Tel.: +49 (0)40 888 602 88		Bavaria SD20		SHEET: 50
3			APPR.								

# cable list

Object 1 (to external)	cable identifier	description / funktion	cable type	cross-section	color	length	sheet	path	object 2 (from internal)
X21PE1	C161	strebe 1	H07VK	6	GN	1	4	1	X02
4F1N	C161	strebe 1	H07VK	6	WH	1	4	2	X03
4F31	C162	strebe 2	H07VK	6	BK	1	4	5	X01
X21PE2	C162	strebe 2	H07VK	6	GN	1	4	5	X02
4F3N	C162	strebe 2	H07VK	6	WH	1	4	6	X03
4S27	C163	lase (change over switch	H07VK	6	BK	8	4	1	4F12
4S23	C163	lase (change over switch	H07VK	6	WH	8	4	1	4F1N
X2162	C163	lase (change over switch	H07VK	6	GN	8	4	2	X21PE1
X111	C164	change over switch / panel 302	H07VK	6	BK	0,75	4	2	4S268
X11N	C164	change over switch / panel 302	H07VK	6	WH	0,75	4	2	4S224
4S85	C166	strebe 2	H07VK	6	BK	1	4	5	4F52
4S81	C166	strebe 2	H07VK	6	WH	1	4	6	4F5N
X2163	C166	strebe 2	H07VK	6	GN	1	4	6	X21PE2
X419	C167	change over switch / panel 302	H07VK	6	BK	0,75	4	5	4S86
X415	C167	change over switch / panel 302	H07VK	6	WH	0,75	4	5	4S82
6X811	C161	Acoullentboub	H07VK	28	BK	1	6	6	X131
6X8PE	C161	Acoullentboub	H07VK	28	GN	1	6	7	X132
6X8N	C161	Acoullentboub	H07VK	28	WH	1	6	7	X123
6X811	C162	Acoullentboub	H07VK	28	BK	4,5	6	8	X141
6X8PE	C162	Acoullentboub	H07VK	28	GN	4,5	6	8	X142
6X8N	C162	Acoullentboub	H07VK	28	WH	4,5	6	8	X143
6X211	C17	AcoullentMicroaere	H07VK	28	BK	3	6	2	X91
6X2PE	C17	AcoullentMicroaere	H07VK	28	GN	3	6	2	X92
6X2N	C17	AcoullentMicroaere	H07VK	28	WH	3	6	2	X93
6X311	C18	Acoullentfalsb	H07VK	28	BK	2	6	3	X104
6X3PE	C18	Acoullentfalsb	H07VK	28	GN	2	6	3	X105
6X3N	C18	Acoullentfalsb	H07VK	28	WH	2	6	3	X96
6X611	C19	Acoullentfalsb	H07VK	28	BK	2,5	5	5	X41
6X6PE	C19	Acoullentfalsb	H07VK	28	GN	2,5	5	5	X42


Schutzvermerk nach DIN 34 beachten!

PREVIOUS PAGE: 43	CHANGE	NAME	DATE	NAME		DRAWN BY:	DISCRIPTION	PROJNO.:	ATTACHMENT:	NEXT PAGE: 45
REV 1	DATE	CHANGE	DATE	NAME	Bavaria	M.S.P. Nolte GmbH	cable list	S-001-28500-NV4REG1		
2			22.07.2012	Hemo Nolle	Bavaria	Albert-Schweitzer-Ring 39				PAGE: 44
3			22.07.2012	Hemo Nolle	Bavaria	D-22045 Hamburg				SHEET: 50
					www.bavaria-yachtbau.com	Tel.: +49 (0)40 888 602 88		Bavaria SD20		

# cable list

Object 1 (to external)	cable identifier	description / funktion	cable type	cross-section	color	length	sheet	path	object 2 (from internal)
XS1N	C19	ACouletständer	H17/K	28	WH	2,5	5	5	X218
XS11	C20	ACouletflthb	H17/K	28	BK	2,1	5	5	X81
XS7PE	C20	ACouletflthb	H17/K	28	GN	2,1	5	5	X82
XS7N	C20	ACouletflthb	H17/K	28	WH	2,1	5	5	X83
XS11	C21	ACouletbowstb	H17/K	28	BK	5	5	5	X51
XS8PE	C21	ACouletbowstb	H17/K	28	GN	5	5	5	X52
XS1N	C21	ACouletbowstb	H17/K	28	WH	5	5	5	X53
XS11	C22	mass bridge	H17/K	28	BK	1,5	6	4	X111
XS8PE	C22	mass bridge	H17/K	28	GN	1,5	6	4	X112
XS4N	C22	mass bridge	H17/K	28	WH	1,5	6	4	X103
XS11	C23	ACouletGaly	H17/K	28	BK	11	6	0	X81
XS0PE	C23	ACouletGaly	H17/K	28	GN	11	6	1	X82
XS1N	C23	ACouletGaly	H17/K	28	WH	11	6	1	X83
XS11	C24	ACouletbowstb	H17/K	28	BK	4	5	5	X71
XS8PE	C24	ACouletbowstb	H17/K	28	GN	4	5	5	X72
XS8N	C24	ACouletbowstb	H17/K	28	WH	4	5	5	X73
XS11	C25	ACouletflthb	H17/K	28	BK	10,5	5	4	X31
XS4PE	C25	ACouletflthb	H17/K	28	GN	10,5	5	4	X214
XS1N	C25	ACouletflthb	H17/K	28	WH	10,5	5	4	X215
XS11	C26	ACouletmass stb	H17/K	28	BK	2,5	6	5	X121
XS8PE	C26	ACouletmass stb	H17/K	28	GN	2,5	6	5	X122
XS1N	C26	ACouletmass stb	H17/K	28	WH	2,5	6	5	X113
XS11	C27	ACouletBoiler	H17/K	28	BK	6,8	5	3	X210
XS8PE	C27	ACouletBoiler	H17/K	28	GN	6,8	5	3	X21
XS1N	C27	ACouletBoiler	H17/K	28	WH	6,8	5	3	X212
XS12	C281	Behlgrd	H17/K	70	BK	0,4	9	8	9-83-
XS99	C281	Behlgrd	H17/K	70	RD	0,4	9	8	9-8112
XS14	C281	Behlgrd	H17/K	70	BK	0,4	9	5	9-85-
XS10	C281	Behlgrd	H17/K	70	RD	0,4	9	5	9-82

Schutzvermerk nach DIN 34 beachten!

PREVIOUS PAGE:	44	DRAWN BY:	M. S. P. Nolte GmbH	DESCRIPTION:	cable list	PROJNO.:	S-001-28500 NVA2EG1	ATTACHMENT:	NEXT PAGE:	46
REV	DATE	CHANGE	NAME	DATE	NAME	DATE	NAME	DATE	NAME	DATE
1			DRAWN	22.07.2012	Hemo Nöle		Bevarestelle 1		CHECK	22.07.2012
2			CHECK		Hemo Nöle		D9722		APPR.	
3			APPR.				Gieselsbad			
							Albert-Schweitzer-Ring 39 D-22045 Hamburg Tel.: +49 (0)40 888 802 88			
			<b>BAVARIA</b>				www.bavaria-yachtbau.com			

# cable list

Object 1 (to external)	cable identifier	description / funktion	cable type	cross-section	color	length	sheet	path	object 2 (from internal)
9F31	C282	main switchfuse	H07VK	70	RD	1.7	9	5	9K6
C2822	C282	main switchfuse	H07VK	70	RD	1.7	9	8	C2822
9K9	C282	main switchfuse	H07VK	70	RD	1.7	9	8	C2822
C2822	C282	main switchfuse	H07VK	70	RD	1.7	9	8	9K9
9K9	C282	main switchfuse	H07VK	70	RD	1.7	9	8	9K9
3K7	C283	BT stem engine 4x2	H07VK	70	RD	2.8	31	7	9K9
3K2	C283	BT stem engine 4x2	H07VK	70	RD	2.8	31	2	9K6
X2157	C284	BT engine	H07VK	70	BK	0.9	31	8	
X231	C284	BT engine	H07VK	70	BK	0.9	31	4	
bat. is2out1	C286	dynamo machine/ Bowliner Batt	H07VK	50	RD	12	9	5	X1910
C5332	C286	dynamo machine/ Bowliner Batt	H07VK	50	RD	12	9	5	X1910
bat. is2out2	C286	dynamo machine/ Bowliner Batt	H07VK	35	RD	12	9	7	X199
C5322	C286	dynamo machine/ Bowliner Batt	H07VK	35	RD	12	9	7	X199
X195	C287	dynamo machine/ Bowliner Batt	H07VK	25	BK	12	8	6	X167
wireless relay	C289	corded wireless	H07VK	25	RD	2	30	4	XP113
X441	C291	stve	H07VK	6	BK	1	4	3	X381
X2162	C291	stve	H07VK	6	GN	1	4	3	X382
X443	C291	stve	H07VK	6	WH	1	4	4	X383
X381	C293	generator	H07VK	35	RD	22	8	3	X16115
X392	C294	generator	H07VK	35	BK	16	8	3	X16117
X231	C30	Inster BT engine	H07VK	70	BK	?	31	1	X1613
X2157	C30	Inster BT engine	H07VK	70	BK	?	31	1	X231
11F61	C31.1	genawindt/b	H07VK	50	RD	1	11	6	X1K54
11F61	C31.1	genawindt/b	H07VK	50	RD	1	11	6	X1K58
3K4	C31.2	genawindt/pot	H07VK	35	RD	5	33	2	11F62
sp. windt pot	C31.3	genawindt/pot	H07VK	50	RD	125	34	1	3K3
001333000	C31.3	genawindt/pot	H07VK	35	RD	125	33	2	3K4
X2167	C31.4	genawindt/pot	H07VK	35	BK	125	33	2	001333000

Schutzvermerk nach DIN 34 beachten!

PREVIOUS PAGE: 45      CHANGE      NAME      DATE      NAME      DRAWN BY: M.S.P. Nolte GmbH

REV 1      DATE      DRAWN 22.07.2012      NAME Heino Nolte      BAVARIA      Albert-Schweitzer-Ring 39

2      CHECK 22.07.2012      NAME Heino Nolte      BAVARIA      D-22045 Hamburg

3      APPR.      www.bavaria-yachtbau.com      BAVARIA      Tel.: +49 (0)40 888 602 88

**BAVARIA**

PROJ. NO.: S-001-28500-NW4EG1      ATTACHMENT:      NEXT PAGE: 47

PAGE: 46      SHEET: 50

# cable list

Object 1 (to external)	cable identifier	description / funktion	cable type	cross-section	color	length	sheet	path	object 2 (from internal)
	C315	gerwicht	H07VK	50	RD	1	11	7	XLS4
	C315	gerwicht	H07VK	50	RD	1	10	7	XLS2
	C317	gerawindt sb	H07VK	50	RD	62	34	5	3444
	C317	gerawindt sb	H07VK	35	RD	62	33	8	3346
	C318	gerawindt sb	H07VK	35	BK	62	33	8	001333001
	C319	gerawindt sb	H07VK	35	RD	8	33	8	1072
	C3125	spj winch tb	H07VK	50	RD	5	34	1	
	C321	monitoring battery 2	FEL 2x023	023		2	12	8	monitoring charger
	C321	monitoring battery 2	FEL 2x023	023		2	12	8	monitoring charger
	C322	monitoring battery 1	FEL 2x023	023		2	12	8	monitoring charger 1
	C322	monitoring battery 1	FEL 2x023	023		2	12	9	monitoring charger 1
	C331	light cable	H07VK	25	WH		19	1	19S1
	C332	light cable	H07VK	25	BK		19	1	19P1
	C333	light cable	H07VK	25	WH		19	2	XL75
	C334	light cable	H07VK	25	BK		19	2	19P2
	C335	light cable	H07VK	25	WH		19	3	19S3
	C336	light cable	H07VK	25	BK		19	3	19P3
	C337	light cable	H07VK	25	WH		19	4	XL76
	C338	light cable	H07VK	25	BK		19	4	19P4
	C339	light cable	H07VK	25	WH		19	5	19S5
	C339	light cable	H07VK	25	BK		19	5	19P5
	C3310	light cable	H07VK	25	WH		19	6	XL77
	C3311	light cable	H07VK	25	BK		19	6	19P6
	C3312	light cable	H07VK	25	WH		19	7	XLS0
	C3313	light cable	H07VK	25	BK		19	7	19P7
	C3314	light cable	H07VK	25	WH		19	7	XLS1
	C3315	light cable	H07VK	25	BK		19	7	19P72
	C3316	light cable	H07VK	25	WH		19	8	XLS1
	C3317	light cable	H07VK	25	BK		20	1	XP105

Schutzvermerk nach DIN 34 beachten!

REV	DATE	CHANGE	NAME	DATE	NAME
1				22.07.2012	Hemo Nöle
2				22.07.2012	Hemo Nöle
3					

**BAVARIA**

Beaufestigung 1  
Gießesack  
www.bavaria-yachtbau.com

DRAWN BY:  
M.S.P. Nöle GmbH  
Albert-Schweitzer-Ring 39  
D-22045 Hamburg  
Tel.: +49 (0)40 888 602 88

PREVIOUS PAGE: 46	DRAWN BY: M.S.P. Nöle GmbH	DESCRIPTION: cable list	PROJNO.: S-00138500 NV4EG4
ATTACHMENT:	Bavaria SD20	NEXT PAGE: 48	PAGE: 47
	SHEET: 50		

# cable list

Object 1 (to external)	cable identifier	description / funktion	cable type	cross-section	color	length	sheet	path	Object 2 (from internal)
	XL21	light cable	H07VK	25	BK		19	8	19F8
	XL78	light cable	H07VK	25	WH		20	1	20S1
	2P1.1	light cable	H07VK	25	WH		20	1	XL78
	XL22	light cable	H07VK	25	BK		20	1	2P1.1
	2P1.2	light cable	H07VK	25	WH		20	1	XL81
	2P2	light cable	H07VK	25	BK		20	2	XL81
	XL23	light cable	H07VK	25	BK		20	1	2P1.2
	XL24	light cable	H07VK	25	BK		20	2	2P2
	XL79	light cable	H07VK	25	WH		20	3	20S3
	2P3	light cable	H07VK	25	WH		20	3	XL79
	2P4.1	light cable	H07VK	25	WH		20	4	XL82
	2P4.2	light cable	H07VK	25	WH		20	4	XL82
	XL25	light cable	H07VK	25	BK		20	3	2P3
	XL26	light cable	H07VK	25	BK		20	4	2P4.1
	XL27	light cable	H07VK	25	BK		20	4	2P4.2
	XL80	light cable	H07VK	25	WH		20	6	20S6
	2P6.1	light cable	H07VK	25	WH		20	6	XL80
	2P6.2	light cable	H07VK	25	WH		20	6	XL83
	2P7	light cable	H07VK	25	WH		20	7	XL83
	XL28	light cable	H07VK	25	BK		20	6	2P6.1
	XL29	light cable	H07VK	25	BK		20	6	2P6.2
	XL30	light cable	H07VK	25	BK		20	7	2P7
	XL84	light cable	H07VK	25	WH		21	1	20S1
	2P1	light cable	H07VK	25	WH		21	1	XL57
	2P1.2	light cable	H07VK	25	WH		21	1	XL84
	XL31	light cable	H07VK	25	BK		21	1	2P1.1
	XL32	light cable	H07VK	25	BK		21	1	2P1.2
	XL85	light cable	H07VK	25	WH		21	2	20S2
	20S2	light cable	H07VK	25	WH		21	2	XL85

Schutzvermerk nach DIN 34 beachten!

REV	DATE	CHANGE	NAME	DATE	NAME		DRAWN BY:	DISCRIPTION	PROJAND:	ATTACHMENT:	NEXT PAGE:	
1				22.07.2012	Hemo Nolie	<b>BAVARIA</b> Bavariastraße 1 Giebelstedt www.bavaria-yachtbau.com	M. S. P. Nole GmbH	cable list	S-000-32600 NVA2EG1		49	
2				22.07.2012	Hemo Nolie		D-22045 Hamburg	Albert-Schweitzer-Ring 39		Bavaria SD20		48
3					APPR.		Tel.: +49 (0)40 888 602 88					50

F

F



# cable list

Object 1 (to external)	cable identifier	description / funktion	cable type	cross-section	color	length	sheet	path	object 2 (from internal)
	21F3	light cable	H07VK	25	WH		21	3	X1.85
	X1.33	light cable	H07VK	25	BK		21	2	21F2
	X1.34	light cable	H07VK	25	BK		21	3	21F3
	X1.86	light cable	H07VK	25	WH		21	4	21F4
	21F4	light cable	H07VK	25	WH		21	4	X1.89
	21F5.1	light cable	H07VK	25	WH		21	5	X1.89
	21F5.2	light cable	H07VK	25	WH		21	5	X1.89
	X1.35	light cable	H07VK	25	BK		21	4	21F4
	X1.36	light cable	H07VK	25	BK		21	5	21F5.1
	X1.37	light cable	H07VK	25	BK		21	5	21F5.2
		light cable	H07VK	25	WH		21	6	X1.54
	X1.38	light cable	H07VK	25	BK		21	6	21F6
	21F7	light cable	H07VK	25	WH		21	7	X1.55
	X1.39	light cable	H07VK	25	BK		21	7	21F7
	21F8.1	light cable	H07VK	25	WH		21	8	X1.56
	X1.40	light cable	H07VK	25	BK		21	8	21F8.1
	21F8.2	light cable	H07VK	25	WH		21	8	X1.56
	X1.41	light cable	H07VK	25	BK		21	8	21F8.2
	11F4.1	hader	H07VK	25	RD		10	4	X1.6S.9
	11F3.1	table1	H07VK	4	RD		11	3	X1.6S.8
	11F2.1	table1	H07VK	4	RD		11	2	X1.6S.2
	X21.71	halvord wirsch	H07VK	50	BK		34	8	34M8-
	34M6	spi wirsch sb	H07VK	50	RD		34	8	
	34M7	spi wirsch sb	H07VK	50	RD		34	8	
	X21.14	spi wirsch tb	H07VK	50	BK		34	1	spi wirsch part
	39K2.2	table 1 power	H07VK	4	RD		35	4	
	39K2.1	table 1 power	H07VK	4	RD		35	4	
	39K6.1	table 2 power	H07VK	4	RD		35	8	
	X38.9	table-	H07VK	4	BK		35	1	X1.6.16

Schutzvermerk nach DIN 34 beachten!

PREVIOUS PAGE: 48      NEXT PAGE: 50

REV	DATE	CHANGE	NAME	DATE	NAME	DATE	NAME
1				22.07.2012	Hemo Nohle	22.07.2012	Hemo Nohle
2				22.07.2012	Hemo Nohle		
3							

**BAVARIA**

DRAWN BY: M.S.P. Nohle GmbH  
 Albert-Schweitzer-Ring 39  
 D-22045 Hamburg  
 Tel.: +49 (0)40 888 602 88

PROJ. NO.: S-001.28500 NV42EG1  
 BAVARIA SD20

ATTACHMENT:  
 PAGE: 49  
 SHEET: 50

